

DVD HOME THEATER SOUND SYSTEM DVX-S30 DVD PLAYER DVD-S30

DVD-S30

SERVICE MANUAL

The DVX-S30 consists of the DVD-S30, the AVC-S30 and the NX-P30.

This service manual is for the DVD-S30.

For the AVC-S30 (including AVC-35 and NX-P30) service manual, please refer to the following publication number:

AVC-S30 / AVC-S35 / NX-P30 100971

DVX-S30はDVD-S30、AVC-S30及びNX-P30で構成されています。

このサービスマニュアルはDVD-S30用です。

AVC-S30用(AVC-S35、NX-P30を含む)のサービスマニュアルは下記を参照してください。

AVC-S30 / AVC-S35 / NX-P30 100971

IMPORTANT NOTICE

This manual has been provided for the use of authorized YAMAHA Retailers and their service personnel.

It has been assumed that basic service procedures inherent to the industry, and more specifically YAMAHA Products, are already known and understood by the users, and have therefore not been restated.

WARNING: Failure to follow appropriate service and safety procedures when servicing this product may result in personal injury, destruction of expensive components, and failure of the product to perform as specified. For these reasons, we advise all YAMAHA product owners that any service required should be performed by an authorized YAMAHA Retailer or the appointed service representative.

IMPORTANT: The presentation or sale of this manual to any individual or firm does not constitute authorization, certification or recognition of any applicable technical capabilities, or establish a principle-agent relationship of any form.

The data provided is believed to be accurate and applicable to the unit(s) indicated on the cover. The research, engineering, and service departments of YAMAHA are continually striving to improve YAMAHA products. Modifications are, therefore, inevitable and specifications are subject to change without notice or obligation to retrofit. Should any discrepancy appear to exist, please contact the distributor's Service Division.

WARNING: Static discharges can destroy expensive components. Discharge any static electricity your body may have accumulated by grounding yourself to the ground buss in the unit (heavy gauge black wires connect to this buss).

IMPORTANT: Turn the unit OFF during disassembly and part replacement. Recheck all work before you apply power to the unit.

CONTENTS

TO SERVICE PERSONNEL	2~5	MAINTENANCE FLOW CHART	17~20
PREVENTION OF ELECTROSTATIC DISCHARGE	5	メンテナンスフローチャート	21~24
LOCALE MANAGEMENT INFORMATION	5	IC DATA	25~26
SYSTEM COMPOSITION	6	DISPLAY DATA	27
FRONT PANELS	7	BLOCK DIAGRAM	29
REAR PANELS	7~8	PRINTED CIRCUIT BOARD	30~34
REMOTE CONTROL PANELS	9	SCHEMATIC DIAGRAM	35~37
SPECIFICATIONS / 参考仕様	10~11	PARTS LIST	39~45
INTERNAL VIEW	11	REMOTE CONTROL	46
TRADE MODE / トレードモード	12		
DISASSEMBLY PROCEDURES / 分解手順	13~16		



このサービスマニュアルは、エコマーク認定の再生紙を使用しています。
This Service Manual uses recycled paper.

100972

© 2005 YAMAHA CORPORATION All rights reserved.
This manual is copyrighted by YAMAHA and may not be copied or
redistributed either in print or electronically without permission.



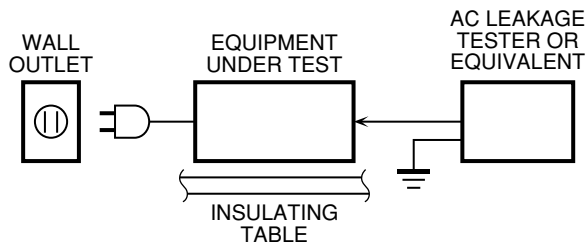
YAMAHA

YAMAHA CORPORATION
P.O.Box 1, Hamamatsu, Japan

'05.09

■ TO SERVICE PERSONNEL

1. Critical Components Information
Components having special characteristics are marked \triangle and must be replaced with parts having specifications equal to those originally installed.
2. Leakage Current Measurement (For 120V Models Only)
When service has been completed, it is imperative to verify that all exposed conductive surfaces are properly insulated from supply circuits.
 - Meter impedance should be equivalent to 1500 ohms shunted by 0.15 μ F.



- Leakage current must not exceed 0.5mA.
- Be sure to test for leakage with the AC plug in both polarities.

WARNING: CHEMICAL CONTENT NOTICE!

The solder used in the production of this product contains LEAD. In addition, other electrical/electronic and/or plastic (where applicable) components may also contain traces of chemicals found by the California Health and Welfare Agency (and possibly other entities) to cause cancer and/or birth defects or other reproductive harm.

DO NOT PLACE SOLDER, ELECTRICAL/ELECTRONIC OR PLASTIC COMPONENTS IN YOUR MOUTH FOR ANY REASON WHATSOEVER!

Avoid prolonged, unprotected contact between solder and your skin! When soldering, do not inhale solder fumes or expose eyes to solder/flux vapor!

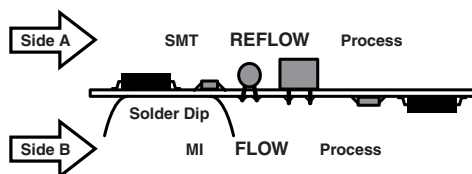
If you come in contact with solder or components located inside the enclosure of this product, wash your hands before handling food.

About Lead Free Solder / 無鉛ハンダについて

The P.C.B.s installed in this unit are soldered using the following solder.

本機に搭載されている基板のハンダ付けに使用されているハンダは下記の通りです。

	Side A / A面	Side B / B面
AV P.C.B.	Lead Free Solder / 無鉛ハンダ	Lead Free Solder / 無鉛ハンダ
OPERATION P.C.B.	Lead Free Solder / 無鉛ハンダ	Lead Free Solder / 無鉛ハンダ



Among some types of lead free solder currently available, it is recommended to use one of the following types for the repair work.

- Sn + Ag + Cu (tin + silver + copper)
- Sn + Cu (tin + copper)
- Sn + Zn + Bi (tin + zinc + bismuth)

Caution:

1. As the melting point temperature of the lead free solder is about 30°C to 40°C (50°F to 70°F) higher than that of the lead solder, be sure to use a soldering iron suitable to each solder.
2. If lead solder must be used, be sure to remove lead free solder from each terminal section of the parts to be replaced and from the area around it completely before soldering, or make sure that the lead free solder and lead solder melt together fully.

無鉛ハンダにはいくつかの種類がありますが、修理時には下記のような無鉛ハンダの使用を推奨します。

- Sn+Ag+Cu (錫+銀+銅)
- Sn+Cu (錫+銅)
- Sn+Zn+Bi (錫+亜鉛+ビスマス)

注意:

1. 無鉛ハンダの融点温度は通常の鉛入りハンダに比べ30～40°C程度高くなっていますので、それぞれのハンダに合ったハンダごてをご使用ください。
2. 鉛入りハンダを使わざるを得ない場合は、あらかじめ交換する部品端子部やその周辺部の無鉛ハンダをすべて取り除くか、あるいは無鉛ハンダと鉛入りハンダが十分に溶けた状態となるようにハンダ付けしてください。

WARNING: Laser Safety

This product contains a laser beam component. This component may emit invisible, as well as visible radiation, which may cause eye damage. To protect your eyes and skin from laser radiation, the following precautions must be used during servicing of the unit.

- 1) When testing and/or repairing any component within the product, keep your eyes and skin more than 30 cm away from the laser pick-up unit at all times. Do not stare at the laser beam at any time.
- 2) Do not attempt to readjust, disassemble or repair the laser pick-up, unless noted elsewhere in this manual.
- 3) CAUTION : Use of controls, adjustments or performance of procedures other than those specified herein may result in hazardous radiation exposure.

Laser Emitting conditions:

- 1) When the Top Cover is removed, and the STANDBY/ON SW is turned to the "ON" position, the laser component will emit a beam for several seconds to detect if a disc is present. During this time (5-10 sec.) the laser may radiate through the lens of the laser pick-up unit. Do not attempt any servicing during this period! If no disc is detected, the laser will stop emitting the beam. When a disc is loaded, you will not be exposed to any laser emissions.
- 2) The laser power level can be adjusted with the VR on the pick-up PWB, however, this level has been set by the factory prior to shipping from the factory. Do not adjust this laser level control unless instruction is provided elsewhere in this manual. Adjustment of this control can increase the laser emission level from the device.

Laser Diode Properties

Type:	Semiconductor laser GaAlAs
Wave length:	650 nm (DVD) 780 nm (VCD/CD)
Output Power:	7 mW (DVD) 10 mW (VCD/CD)
Beam divergence:	60 degree

警告：レーザーの安全対策

本機はレーザー光線を放射する部品を搭載しています。この部品が放射するレーザー光線は目に損傷を起こします。このレーザー光線から目及び肌を保護するために、本機の修理作業中は下記の注意を厳守してください。

- 1) テスト時または修理時、目及び肌を光ピックアップから30cm以上離してください。いかなる場合もレーザー光線を見つめないでください。
- 2) 光ピックアップの再調整及び分解はしないでください。
- 3) このマニュアル上で指定されている以外の制御、調整、手順はレーザー光線を照射される結果を招く恐れがあります。

レーザー放射条件

- 1) トップカバーを取り外しSTANDBY/ONスイッチをONにすると、ディスク検知のため5～10秒間、光ピックアップからレーザー光線が放射されます。この間、修理はしないでください。
ディスクが検知されなければ、レーザー光線の放射は停止します。ディスクがセットされている場合、ディスクで遮られるのでレーザー光線は修理担当者に届きません。
- 2) レーザーパワーレベルは光ピックアップ基板上のVRにより調整可能ですが、工場出荷前に調整セット済みなので、このVRは廻さないでください。このVRを廻すと装置からのレーザー光線の放射レベルが上がる恐れがあります。

レーザー

タイプ	半導体レーザー GaAlAs
波長	650 nm (DVD) 780 nm (VCD/CD)
出力	7 mW (DVD) 10 mW (VCD/CD)
ビーム広がり	60 度

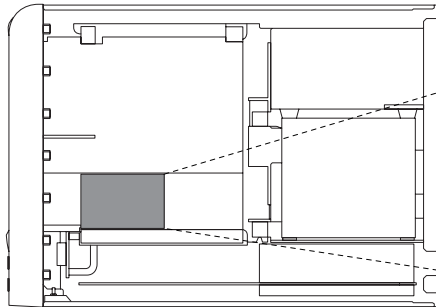
VARO! : AVATTAESSA JA SUOJALUKITUS OHITETTAESSA OLET ALTTIINA NÄKYMÄTTÖMÄLLE LASER-SÄTEILYLLE. ÄLÄ KATSO SÄTEESEEN.

WARNING! : OSYNLIG LASERSTRÅLNING NÄR DENNA DEL ÄR ÖPPNAD OCH SPÄRREN ÄR URKOPPLAD. BETRakta EJ STRÅLEN.

WARNING

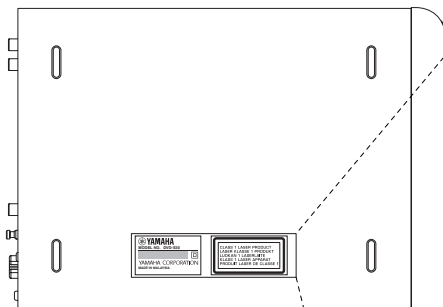
The use of optical instruments with this product will increase eye hazard.

Repair handling should take place as much as possible with a disc loaded inside the player.



CAUTION	- VISIBLE AND / OR INVISIBLE LASER RADIATION WHEN OPEN. AVOID EXPOSURE TO BEAM.
VARNING	- SYNLIK OCH / ELLER OSYNLIK LASERSTRÅLNING NÄR DENNA DEL ÄR ÖPPNAD. STRÅLEN ÄR FARLIG.
VARO!	- AVATTAESSA OLET ALLTINA NÄKYVÄLLE JA / TAI NÄKYMÄTÖMÄLLE LASERSÄTEILYLLE. ÄLÄ KATSO SÄTEESEEN.
VARNING	- SYNLIK OCH / ELLER OSYNLIK LASERSTRÅLNING NÄR DENNA DEL ÄR ÖPPNAD. BETRakta EJ STRALEN.
VORSICHT!	- SICHTBARE UND / ODER UNSICHTBARE LASERSTRAHLUNG WENN ABDECKUNG GEÖFFNET. NICHT DEM STRAHL AUSSETZEN.

The name plate is located on the bottom of the unit.



K model

전기용품안전인증표시사항
YAMAHA 모델명 DVD-830
 제품명 :디스크플레이어
 정격전압 :AC 220 VOLTS 60Hz ~
 소비전력:8 WATTS
 제조자 :YAMAHA ELECTRONICS MANUFACTURING (M) SDN. BHD.
 A/B :02-8770-0861
 MADE IN MALAYSIA

CLASS 1 LASER PRODUCT
 LASER KLASSE 1 PRODUKT
 LIJOKAN 1 LASERLAITE
 KLASS 1 LASER APPARAT
 PRODUIT LASER DE CLASSE 1

A model

YAMAHA
 MODEL NO. DVD-830
 240 VOLTS 8 WATTS
 60Hz ~
 YAMAHA CORPORATION
 MADE IN MALAYSIA

CLASS 1 LASER PRODUCT
 LASER KLASSE 1 PRODUKT
 LIJOKAN 1 LASERLAITE
 KLASS 1 LASER APPARAT
 PRODUIT LASER DE CLASSE 1

B model

YAMAHA
 MODEL NO. DVD-830
 230 VOLTS 8 WATTS
 60Hz ~
 YAMAHA CORPORATION
 MADE IN MALAYSIA
 MANUFACTURED UNDER LICENSE FROM DOLBY LABORATORIES. "DOLBY" AND THE DOUBLE-D SYMBOL ARE TRADEMARKS OF DOLBY LABORATORIES.

CLASS 1 LASER PRODUCT
 LASER KLASSE 1 PRODUKT
 LIJOKAN 1 LASERLAITE
 KLASS 1 LASER APPARAT
 PRODUIT LASER DE CLASSE 1

L model

YAMAHA
 MODEL NO. DVD-830
 220-240 VOLTS 8 WATTS
 60/60 Hz ~
 YAMAHA CORPORATION

CLASS 1 LASER PRODUCT
 LASER KLASSE 1 PRODUKT
 LIJOKAN 1 LASERLAITE
 KLASS 1 LASER APPARAT
 PRODUIT LASER DE CLASSE 1

V model

YAMAHA
 MODEL NO. DVD-830
 110-120 VOLTS 8 WATTS
 60/60 Hz ~
 YAMAHA CORPORATION
 產品名稱 DVD 碟機
 型號 DVD-830
 電壓 110-120 VOLTS
 耗電率 8W
 進口商 功學社音響股份有限公司
 地址 臺北市復興南路一段 322 號 5-7 樓
 產地 馬來西亞

CLASS 1 LASER PRODUCT
 LASER KLASSE 1 PRODUKT
 LIJOKAN 1 LASERLAITE
 KLASS 1 LASER APPARAT
 PRODUIT LASER DE CLASSE 1

J model

YAMAHA
 MODEL NO. DVD-830
 100 V ~ 8 W 60/60 Hz
 ヤマハ株式会社
 MADE IN MALAYSIA

CLASS 1 LASER PRODUCT
 LASER KLASSE 1 PRODUKT
 LIJOKAN 1 LASERLAITE
 KLASS 1 LASER APPARAT
 PRODUIT LASER DE CLASSE 1

Warning for power supply

The primary side of the power supply carries live mains voltage when the player is connected to the mains even when the player is switched off !

This primary area is not shielded so it is possible to touch copper tracks and/or components when servicing the player. Service personnel have to take precautions to prevent touching this area or components in this area.

Note:

The screws on the DVD mechanism may never be touched, removed or re-adjusted.

Handle the DVD mechanism with care when the unit has to be exchanged!

The DVD mechanism is very sensitive for dropping or giving shocks.

■ PREVENTION OF ELECTROSTATIC DISCHARGE

The laser diode in the DVD mechanism may be damaged due to static electricity from clothes or the human body. Use caution to prevent electro static damage when servicing or handling the DVD-mechanism.

1. Grounding for electro static damage prevention

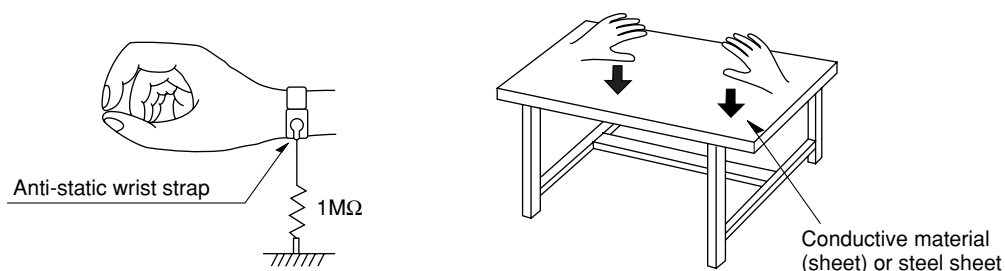
Some devices, such as the DVD player, use an optical pickup (laser diode) that will be damaged by static electricity in the working environment. Only attempt service after ensuring that all grounding procedures have been completed.

1. Worktable grounding

Put a grounded conductive material (sheet) or iron sheet on the area where the optical pickup is placed.

2. Human body grounding

Use an anti-static wrist strap to discharge the static electricity from your body.



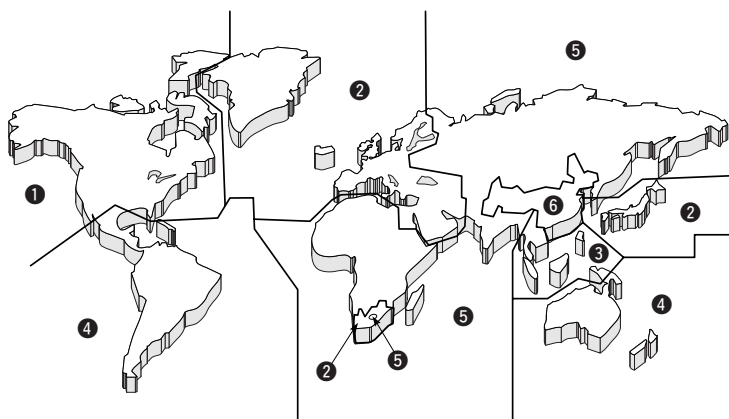
2. Handling Precautions for DVD mechanism

1. Handle the DVD mechanism gently, as it is an extremely high-precision assembly.
2. The flexible cable lines may break if an excessive force is applied to it. Use caution when handling the cable.
3. The semi-fixed resistor for laser power adjustment should not be adjusted. Do not turn the resistor.

■ LOCALE MANAGEMENT INFORMATION

Locale Management Information : This DVD player is designed and manufactured to respond to the Locale Management Information that is recorded on a DVD disc. If the Locale number described on the DVD disc does not correspond to the Locale number of this DVD player, this DVD player cannot play this disc.

This product incorporates copyright protection technology that is protected by method claims of certain U.S. patents and other intellectual property rights owned by Macrovision Corporation and other rights owners. Use of this copyright protection technology must be authorized by Macrovision Corporation, and is intended for home and other limited viewing uses only unless otherwise authorized by Macrovision Corporation. Reverse engineering or disassembly is prohibited.

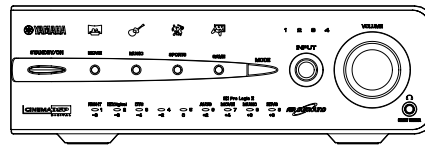


SYSTEM COMPOSITION / システム構成

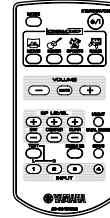
The DVX-S30 consists of the DVD-S30, AVC-S30 and the NX-P30.



DVD-S30



AVC-S30



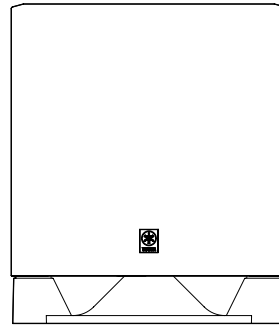
The NX-P30 consists of the NX-SW30, the NX-S30L and the NX-S30R.



Speaker NX-S30L

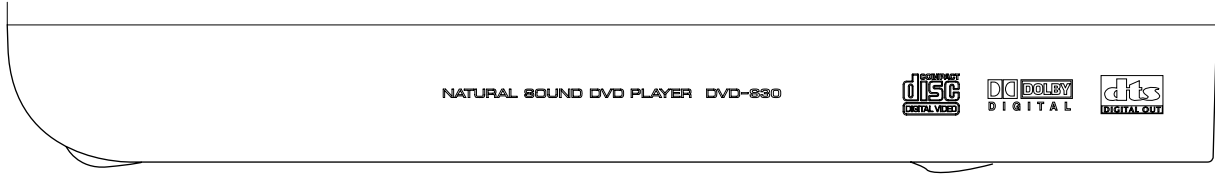


Speaker NX-S30R

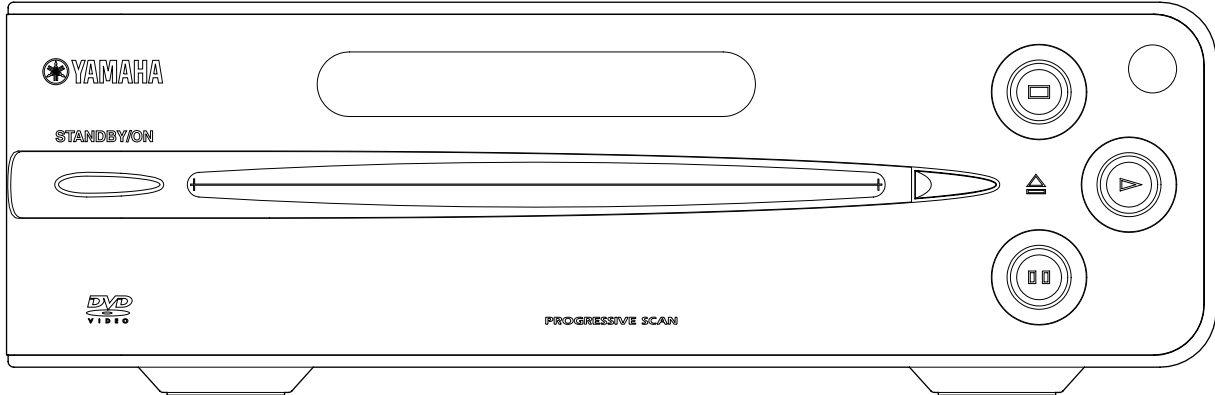


Subwoofer NX-SW30

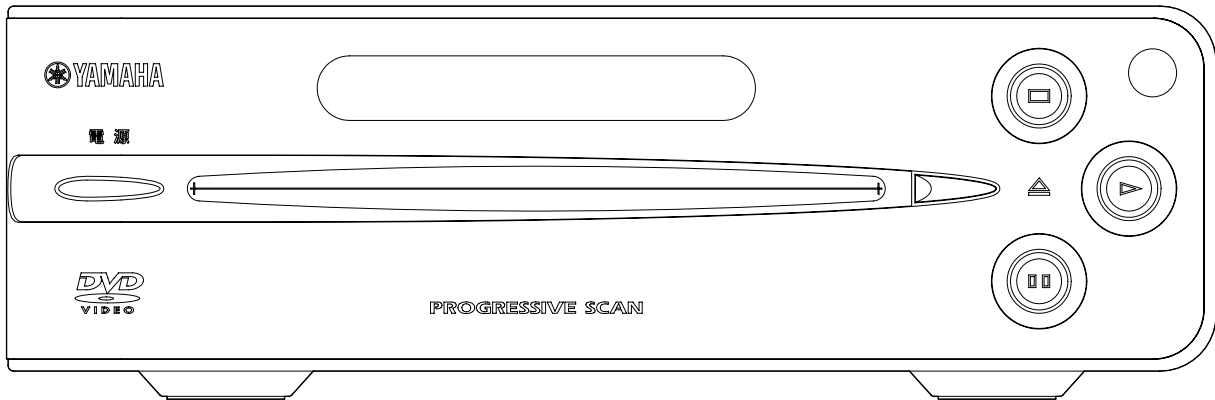
FRONT PANELS



K, A, B, L, V models

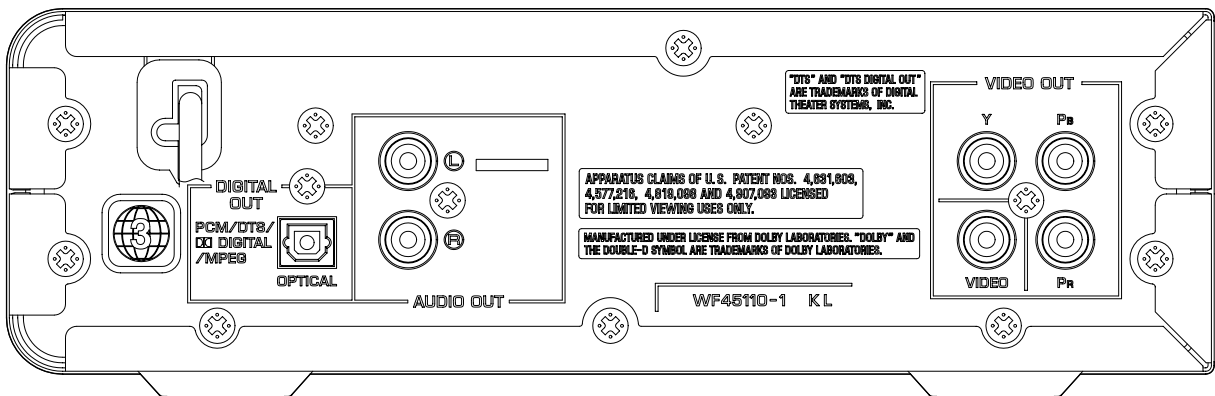


J model

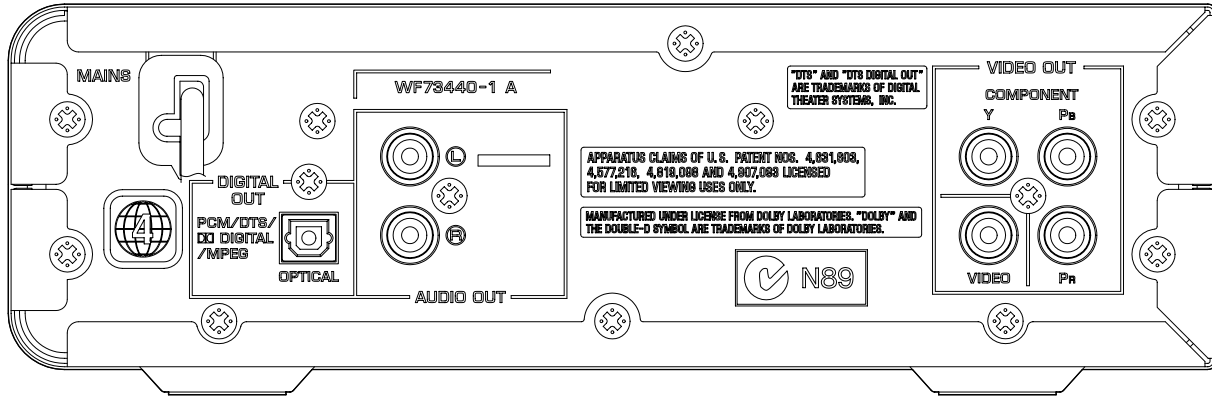


REAR PANELS

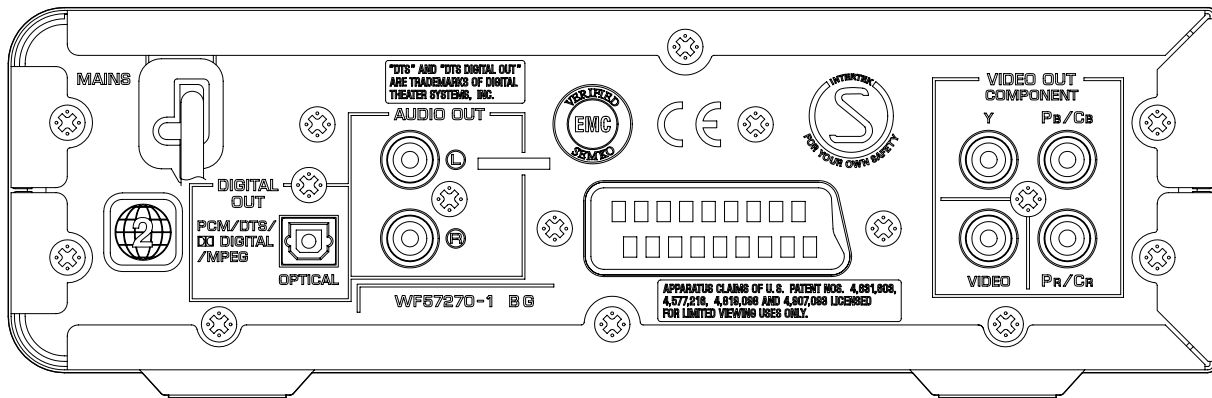
K, L, V models



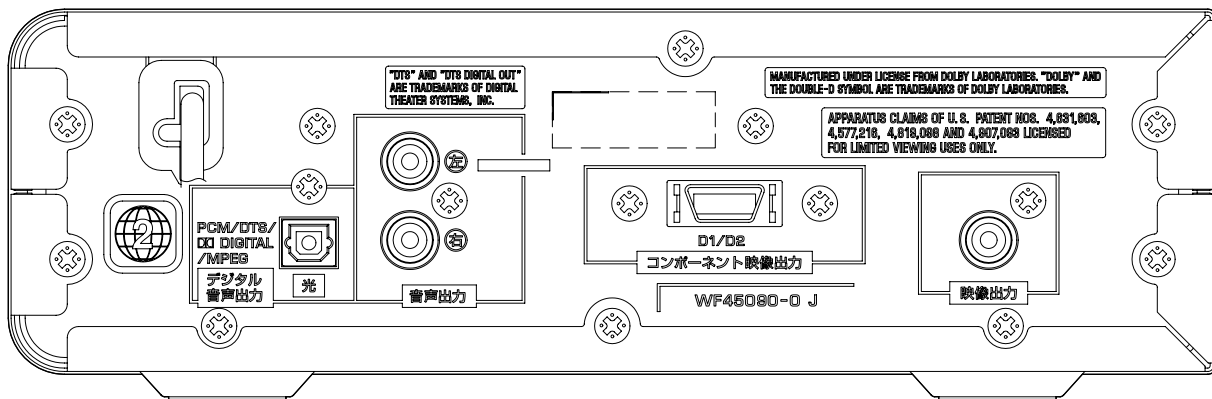
A model



B model



J model

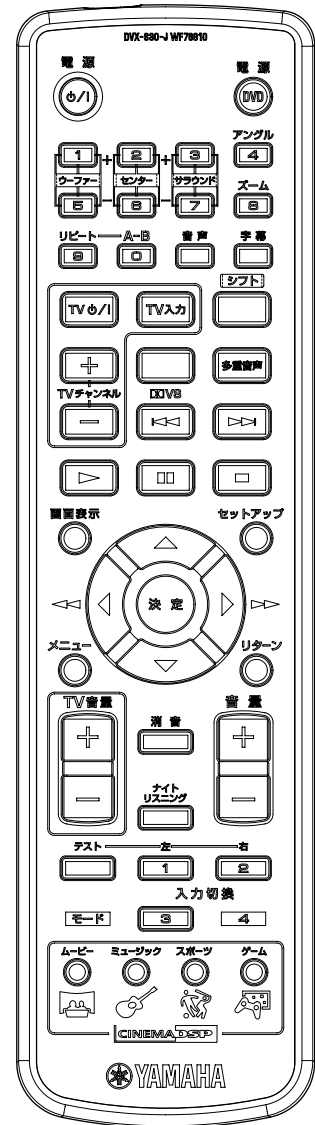
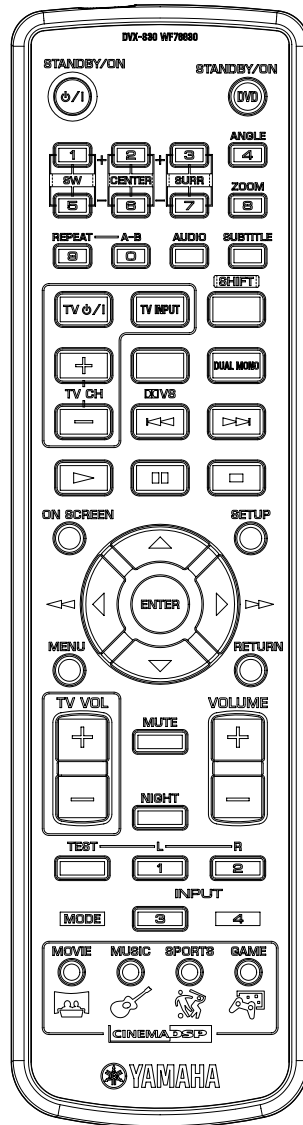
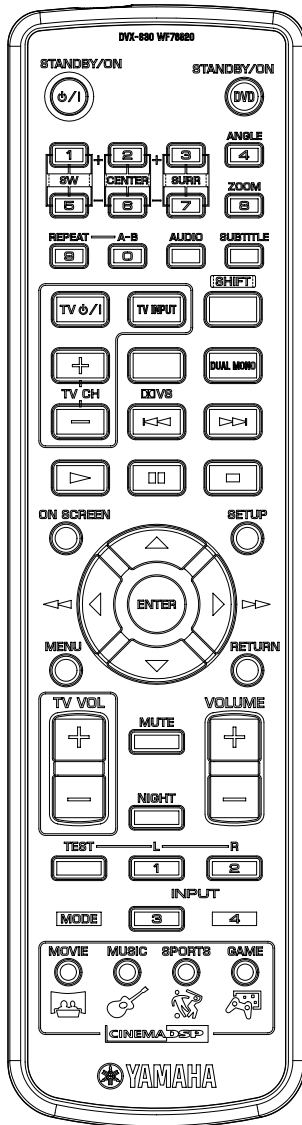


REMOTE CONTROL PANELS

DVX-S30 (K, A, L, V models)
WF76820

DVX-S30 (B model)
WF76830

DVX-S30 (J model)
WF76810



DVD-S30

■ SPECIFICATIONS / 参考仕様

PLAYBACK SYSTEM / 対応ディスク

CD-DA, VCD, MP3
 DVD Video
 SVCD, HDCD
 CPRM & VR format (DVD-R/-RW)
 DVD+R/+RW
 JPEG/JPEG with MP3

AUDIO FORMAT / オーディオフォーマット

Digital Mpeg/Dolby Digital, DTS/Compressed Digital
 PCM 16, 20, 24 bits
 fs, 44.1, 48, 96 kHz
 MP3 (ISO 9660) 96, 112, 128, 256 kbps
 fs 32, 44.1, 48 kHz

Analog Sound Stereo

AUDIO PERFORMANCE / オーディオ特性

Audio Output Level (1kHz, 0dB) 2V
 Signal to Noise Ratio 105 dB or more
 Dynamic Range 100 dB or more
 Total Harmonic Distortion 0.003 % or less
 Frequency Response
 DVD fs 96 kHz 4 Hz to 44 kHz
 fs 48 kHz 4 Hz to 22 kHz
 SVCD fs 48 kHz 4 Hz to 22 kHz
 fs 44.1 kHz 4 Hz to 20 kHz
 CD/VCD 4 Hz to 20 kHz

VIDEO PERFORMANCE / ビデオ部

Video Output 1 Vp-p/75 ohms
 Component Video
 Y Video Output 1 Vp-p/75 ohms
 Pb Output 0.7 Vp-p/75 ohms
 Pr 0.7 Vp-p/75 ohms
 (K, A, B, L, V models)
 RGB Video Output (SCART) 0.7 Vp-p/75 ohms (B model)
 D1/D2 (Y/Pb,Pr) 1 Vp-p/0.7 Vp-p/75 ohms (J model)

TV STANDARD (PAL/50Hz) (NTSC/60Hz)

Number of lines 625 525
 Playback Multistandard (PAL/NTSC)

CONNECTIONS / 接続端子

SCART Euroconnector (B model)
 D Terminal (J model)
 Y Output RCA (green)
 Pb/Cb Output RCA (blue)
 Pr/Cr Output RCA (red) } (K, A, B, L, V models)
 Video Output RCA
 Audio Output (L+R) RCA
 Digital Output 1 optical
 IEC60958 for CDDA / LPCM
 IEC61937 for MPEG1/2, Dolby
 Digital and DTS

GENERAL / 一般

Dimensions (W x H x D) / 215 x 70 x 315 mm
 寸法 (幅 x 高さ x 奥行き) (8-7/16" x 2-3/4" x 12-3/8")
 Weight / 質量 2.4 Kg (Approx. 5 lbs. 5 oz)
 Finish / 仕上げ White Color (K, A, L, V, J models)
 Black Color (B model)
 Silver Color (J model)
 Power Supply / 電源電圧 AC220V, 60 Hz (K model)
 AC240V, 50 Hz (A model)
 AC230V, 50 Hz (B model)
 AC220-240V, 50/60 Hz (L model)
 AC110-120V, 50/60 Hz (V model)
 AC100V, 50/60 Hz (J model)
 Power Consumption / 消費電力 8W
 Standby Power Consumption /
 待機時消費電力 < 1W

ACCESSORIES

Remote Control, Video Pin Cable
 Optical Cable, Stand Ass'y, Battery x 2

** Specifications subject to change without prior notice.*

K Korean model **A** Australian model
B British model **L** Singapore model
V Taiwan model **J** Japanese model



Manufactured under license from Dolby Laboratories.

"Dolby" and the double-D symbol are trademarks of Dolby Laboratories.

ドルビーラボラトリーズからの実施権により製造されています。

「ドルビー」及びダブルD記号はドルビーラボラトリーズの商標です。



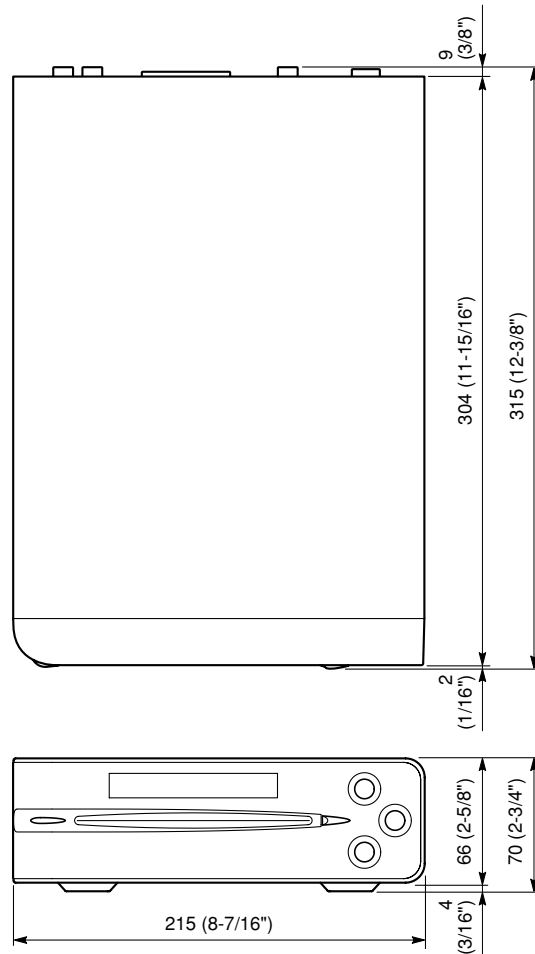
"DTS" and "DTS Digital Out" are trademarks of Digital Theater Systems, Inc.

DTSおよびDTS Digital Outはデジタルシアターシステムズの登録商標です。

MPEG Layer-3 audio decoding technology licensed from Fraunhofer IIS and Thomson multimedia.

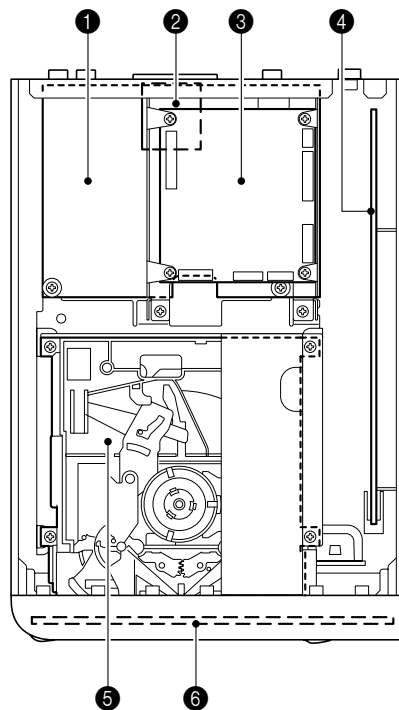
MPEG Audio Layer3 音声圧縮技術は、Fraunhofer IISおよびTHOMSON multimedia からライセンスを受けています。

● DIMENSIONS / 寸法図



Unit : mm (inch)
単位 : mm (インチ)

■ INTERNAL VIEW



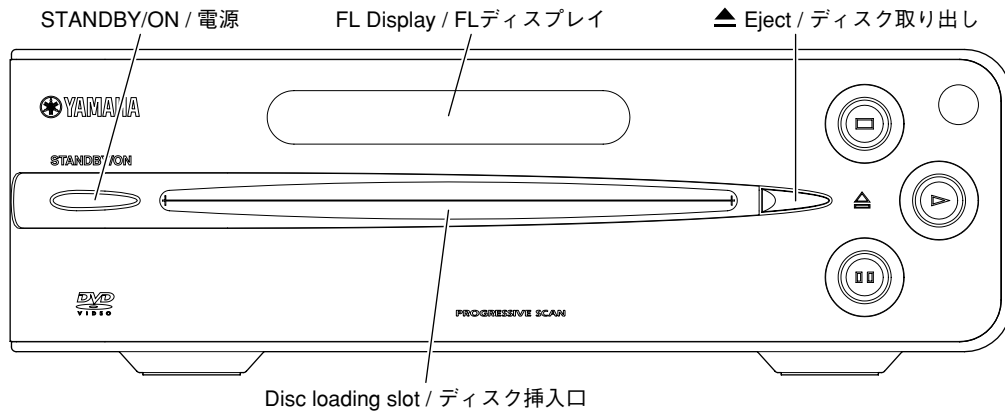
- ① AV (1) P.C.B.
- ② AV (2) P.C.B. (J model)
- ③ MONO P.C.B.
- ④ POWER SUPPLY UNIT
- ⑤ DVD MECHANISM UNIT
- ⑥ OPERATION P.C.B.

■ TRADE MODE / トレードモード

This unit provides "TRADE" mode which prevents the disc from being ejected even when the "▲" (Eject) key is pressed.

● Activating TRADE mode

1. Press the "DVS", "2", "5" and "9" keys on the remote control in that order.
2. "TRA ON" is displayed and TRADE mode is activated.



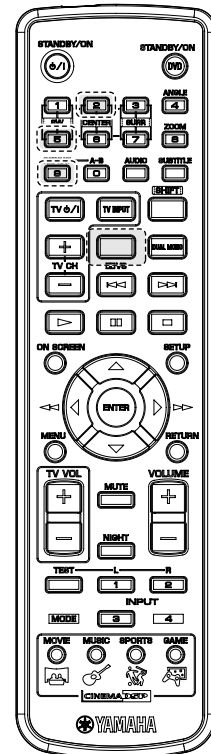
TRADE MODE display / トレードモード表示



本機には、“▲”(ディスク取り出し)キーを押してもディスクが排出されない「トレード」モードがあります。

● トレードモードの起動

1. リモコンの“DVS”、“2”、“5”、“9”キーを順番に押します。
2. “TRA ON”が表示され、トレードモードが起動します。



* After activating TRADE mode, it is not possible to operate with the keys of the main unit.

But, operation with the remote control is available as usual.

● Canceling TRADE mode

1. Press the "DVS", "2", "5" and "9" keys on the remote control in that order.
2. "TRA OFF" is displayed and TRADE mode is cancelled.

※ トレードモード起動後、本体キーでの操作はできません。

但し、リモコンによる操作は通常通り行うことができます。

● トレードモードの解除

1. リモコンの“DVS”、“2”、“5”、“9”キーを順番に押します。
2. “TRA OFF”が表示され、トレードモードが解除されます。

■ DISASSEMBLY PROCEDURES / 分解手順

(Remove parts in the order as numbered.)
Disconnect the power cable from the AC outlet.

(番号順に部品を取り外してください。)
AC電源コンセントから、電源コードを抜いてください。

1. Removal of Top Cover

- a. Remove 2 screws (①), 3 screws (②). (Fig. 1)
- b. Slide the Top Cover rearward to remove it.

1. トップカバーの外し方

- a. ①のネジ2本、②のネジ3本を外します。(Fig. 1)
- b. トップカバーを後方へスライドさせ、取り外します。

2. Removal of Bottom Cover

- a. Remove 2 screws (③), 3 screws (④). (Fig. 1)
- b. Slide the Bottom Cover rearward to remove it.

2. ボトムカバーの外し方

- a. ③のネジ2本、④のネジ3本を外します。(Fig. 1)
- b. ボトムカバーを後方へスライドさせ、取り外します。

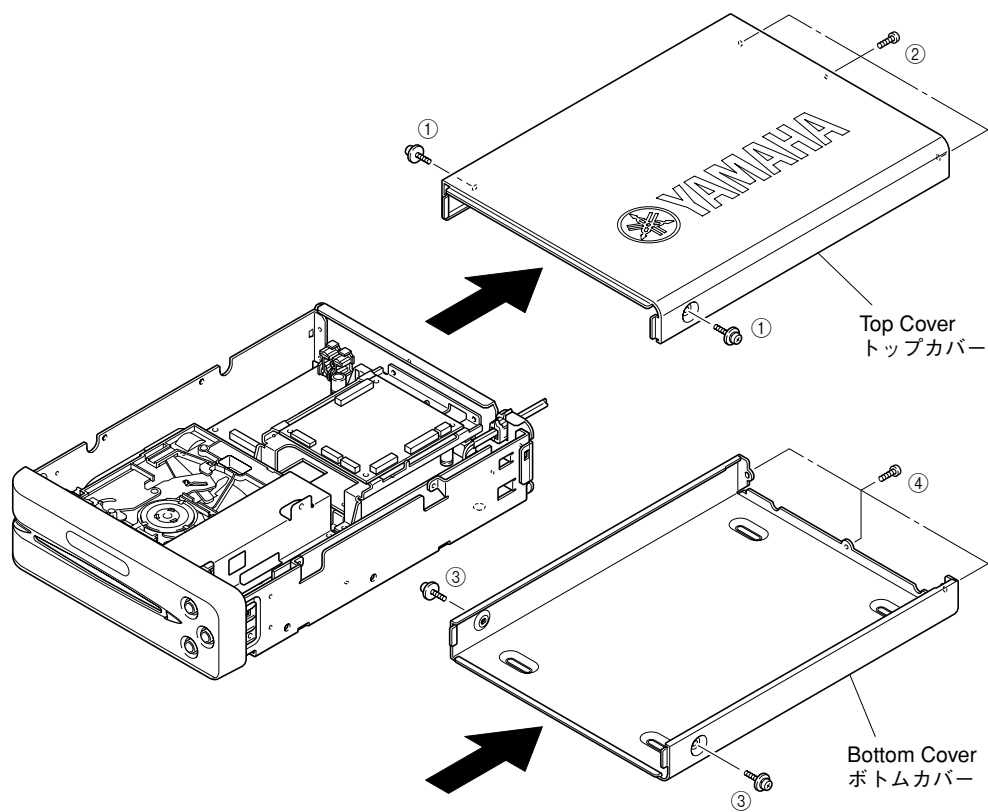


Fig. 1

3. Removal of Front Panel Unit

- Remove 2 screws (⑤), 2 screws (⑥). (Fig. 2)
- Remove connector CB101. (Fig. 3)
- Release 2 hooks of both sides and remove the Front Panel Unit by pulling it forward.

4. Removal of DVD Mechanism Unit

- Remove 4 screws (⑦). (Fig. 2)
- Take out the DVD Mechanism Unit gradually and turn it over. (Fig. 4)
- Solder the lands in the P.C.B. of the DVD Mechanism Unit with the anti-static soldering iron. (Fig. 4)

Note

- After you have finished repairing, connect the PU cable to 1202 in advance and then remove the solder from the short-circuit location with the anti-static soldering iron.

- Remove connectors CB108, 1201 and 1202. (Fig. 3)
- Remove the DVD Mechanism Unit.

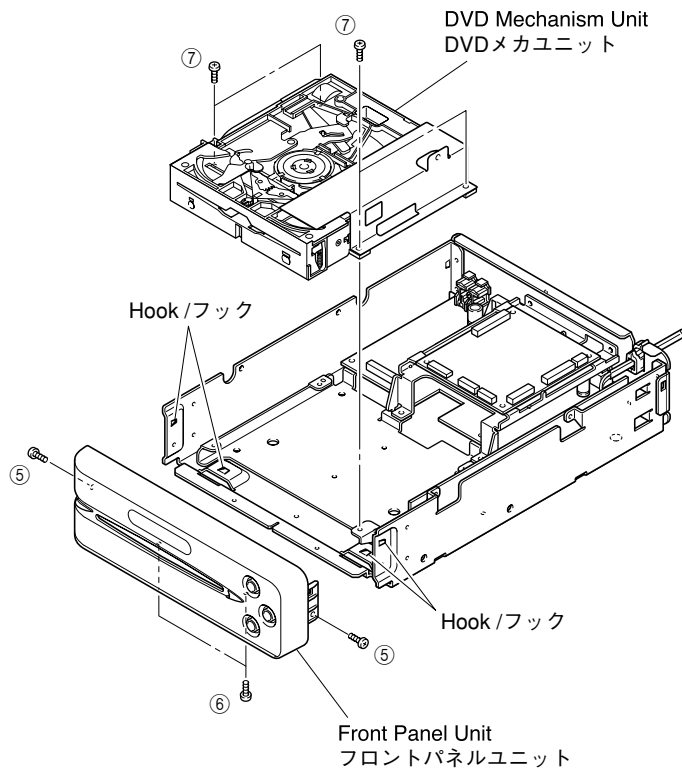


Fig. 2

3. フロントパネルユニットの外し方

- ⑤のネジ2本、⑥のネジ2本を外します。(Fig. 2)
- コネクタ CB101を外します。(Fig. 3)
- フロントパネル両側のフック2箇所を外してフロントパネルユニットを前方に引き出します。

4. DVDメカユニットの外し方

- ⑦のネジ4本を外します。(Fig. 2)
- DVDメカユニットを取り出し、裏返しにします。(Fig. 4)
- DVDメカユニットの基板上的端子間を静電気対策はんだこてを使用してショートします。(Fig. 4)

注意

- 修理終了時は、先にPUケーブルを1202に接続し、次に静電気対策はんだこてを使用してショート箇所からはんだを除去します。

- コネクタCB108、1201、1202を外します。(Fig. 3)
- DVDメカユニットを取り外します。

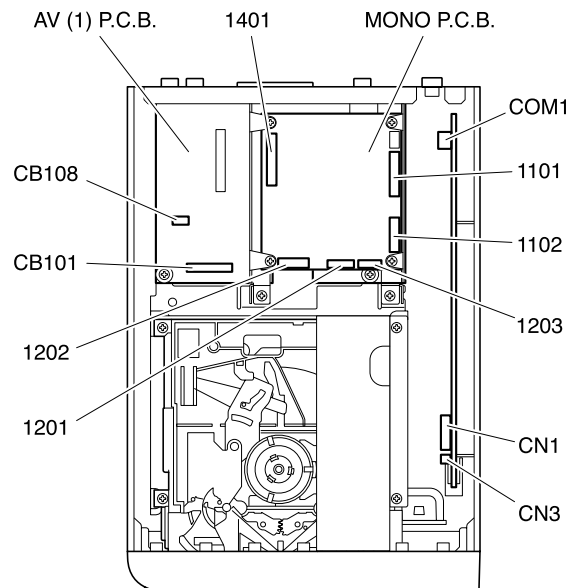


Fig. 3

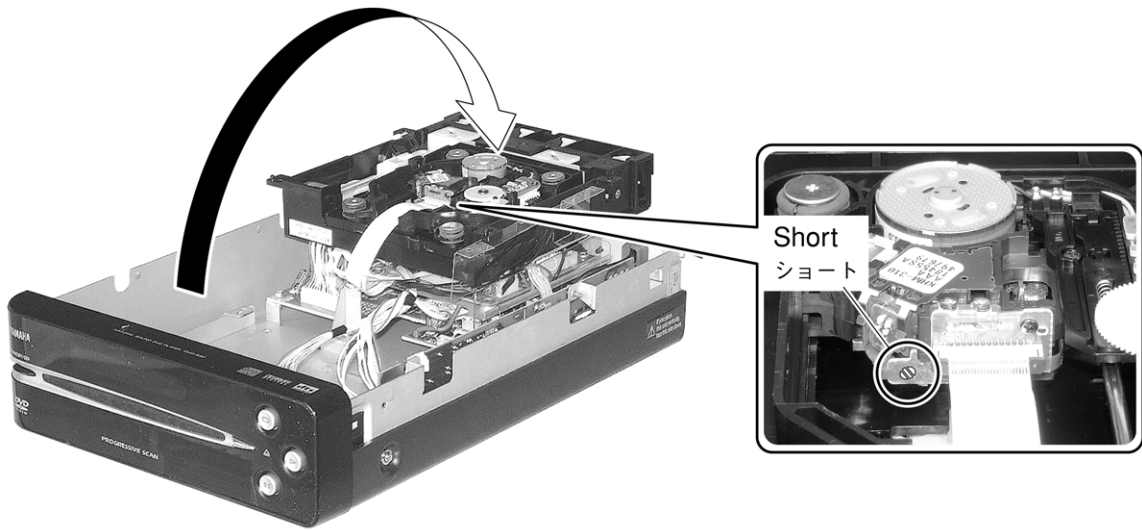


Fig. 4

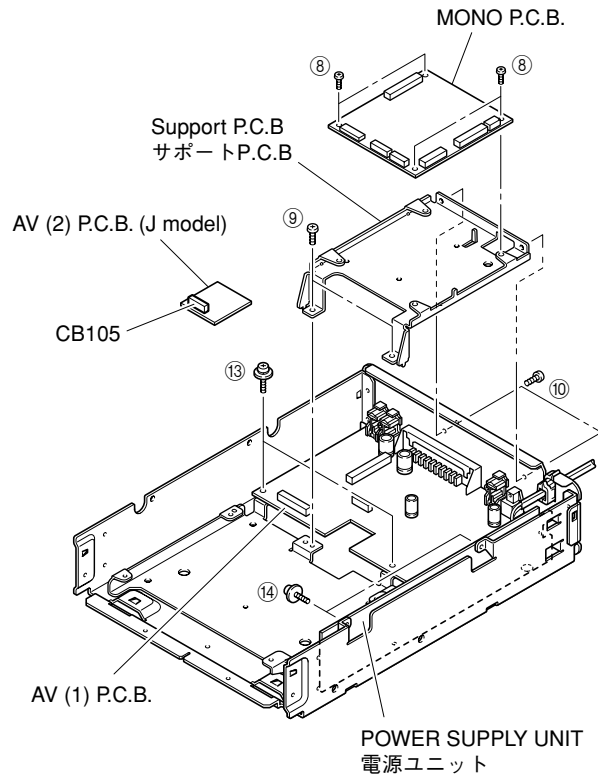


Fig. 5

5. Removal of MONO P.C.B.

- Remove 4 screws (⑧). (Fig. 5)
- Remove connectors 1101, 1102, 1203 and 1401. (Fig. 3)
- Remove the MONO P.C.B..

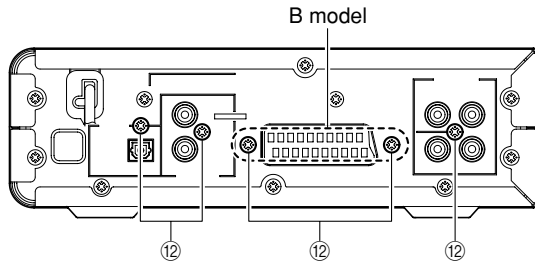
6. Removal of AV (1) P.C.B.

- Remove 2 screws (⑨), 2 screws (⑩). (Fig. 5)
- Remove the Support P.C.B..
- Remove 3 (K, A, L, V models) / 5 (B model) screws (⑫). (Fig. 6)
- Remove connectors CN1 and CN3. (Fig. 3)
- Remove the AV (1) P.C.B..

7. Removal of Power Supply Unit

- Remove 2 screws (⑭). (Fig. 5)
- Remove connector COM1. (Fig. 3)
- Remove the Power Supply Unit upward.

K, A, B, L, V models

**5. MONO P.C.B.の外し方**

- ⑧のネジ4本を外します。(Fig. 5)
- コネクタ-1101, 1102, 1203, 1401を外します。(Fig. 3)
- MONO P.C.B.を取り外します。

6. AV (1)、(2) P.C.B.の外し方

- ⑨のネジ2本、⑩のネジ2本を外します。(Fig. 5)
- サポートP.C.B.を取り外します。
- ⑪のネジ2本を外します。(Fig. 6)
- コネクタ-CB105を外します。(Fig. 5)
- AV (2) P.C.B.を取り外します。
- ⑫のネジ3本、⑬のネジ2本を外します。(Fig. 5、6)
- コネクタ-CN1、CN3を外します。(Fig. 3)
- AV (1) P.C.B.を取り外します。

7. 電源ユニットの外し方

- ⑭のネジ2本を外します。(Fig. 5)
- コネクタ-COM1を外します。(Fig. 3)
- 電源ユニットを上方に取り外します。

J model

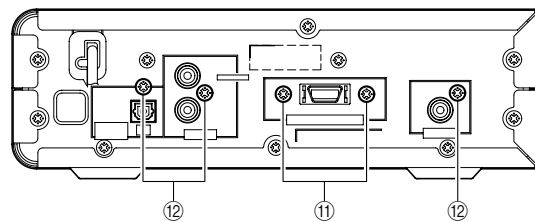


Fig. 6

When checking the P.C.B.

- Reconnect all cables (connectors) that have been disconnected.
- When connecting the flat cable, use care for the polarity.

P.C.B. チェックをする場合には

- 外したケーブル(コネクタ)をすべて接続してください。
- フラットケーブルを接続する際、極性に注意してください。

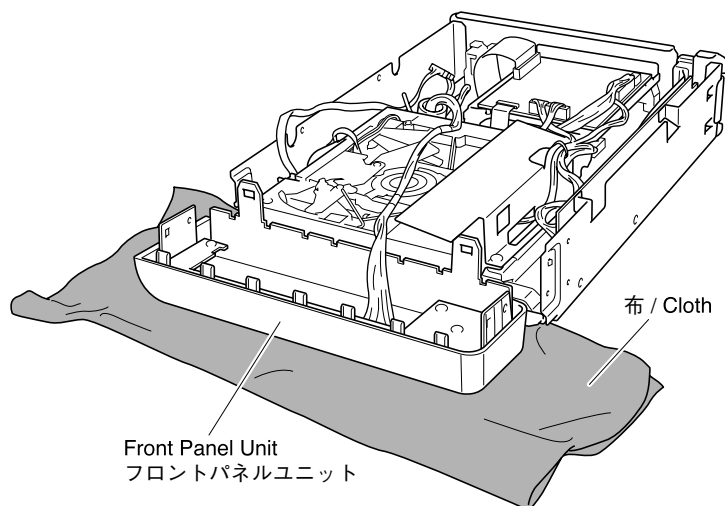
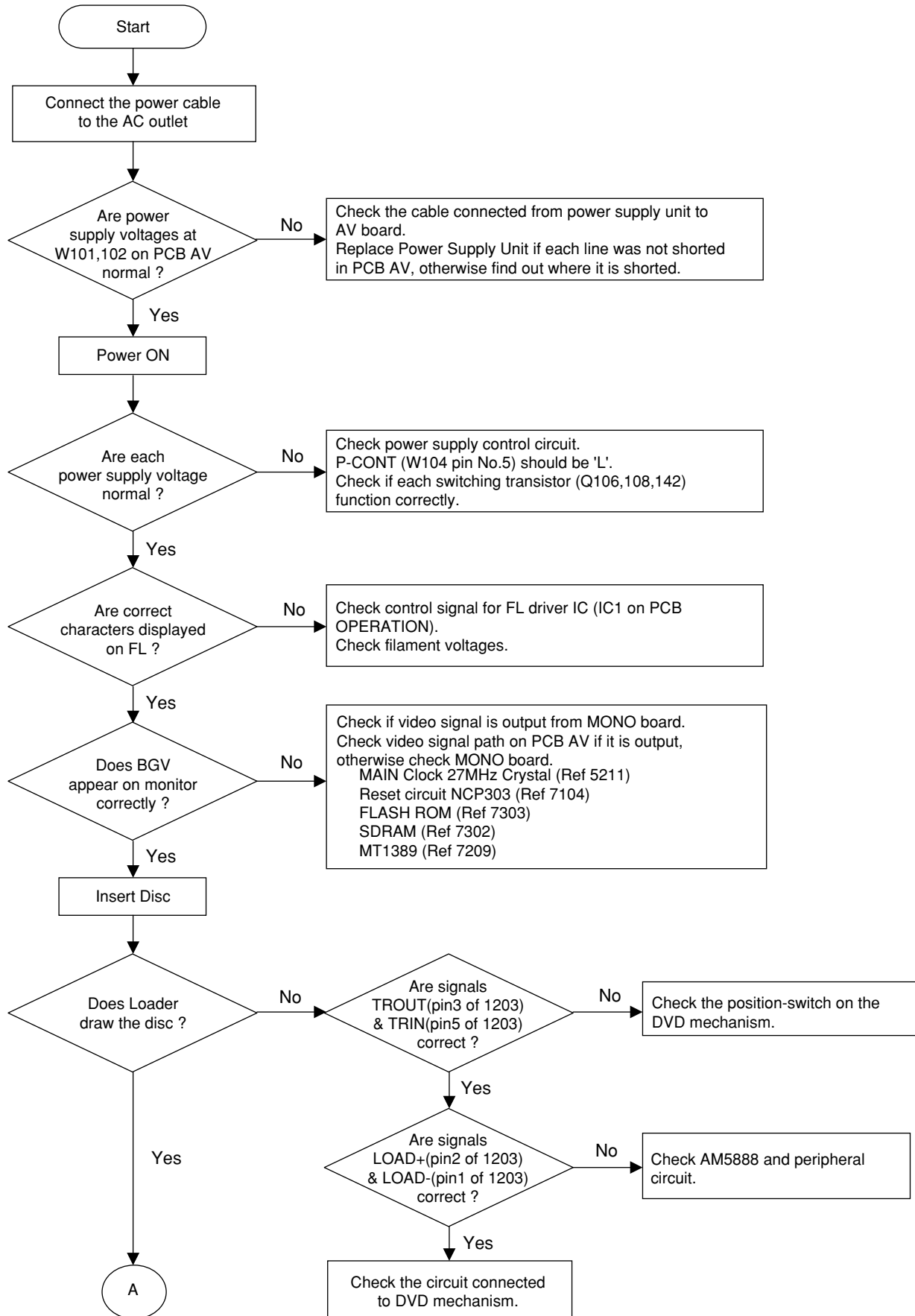
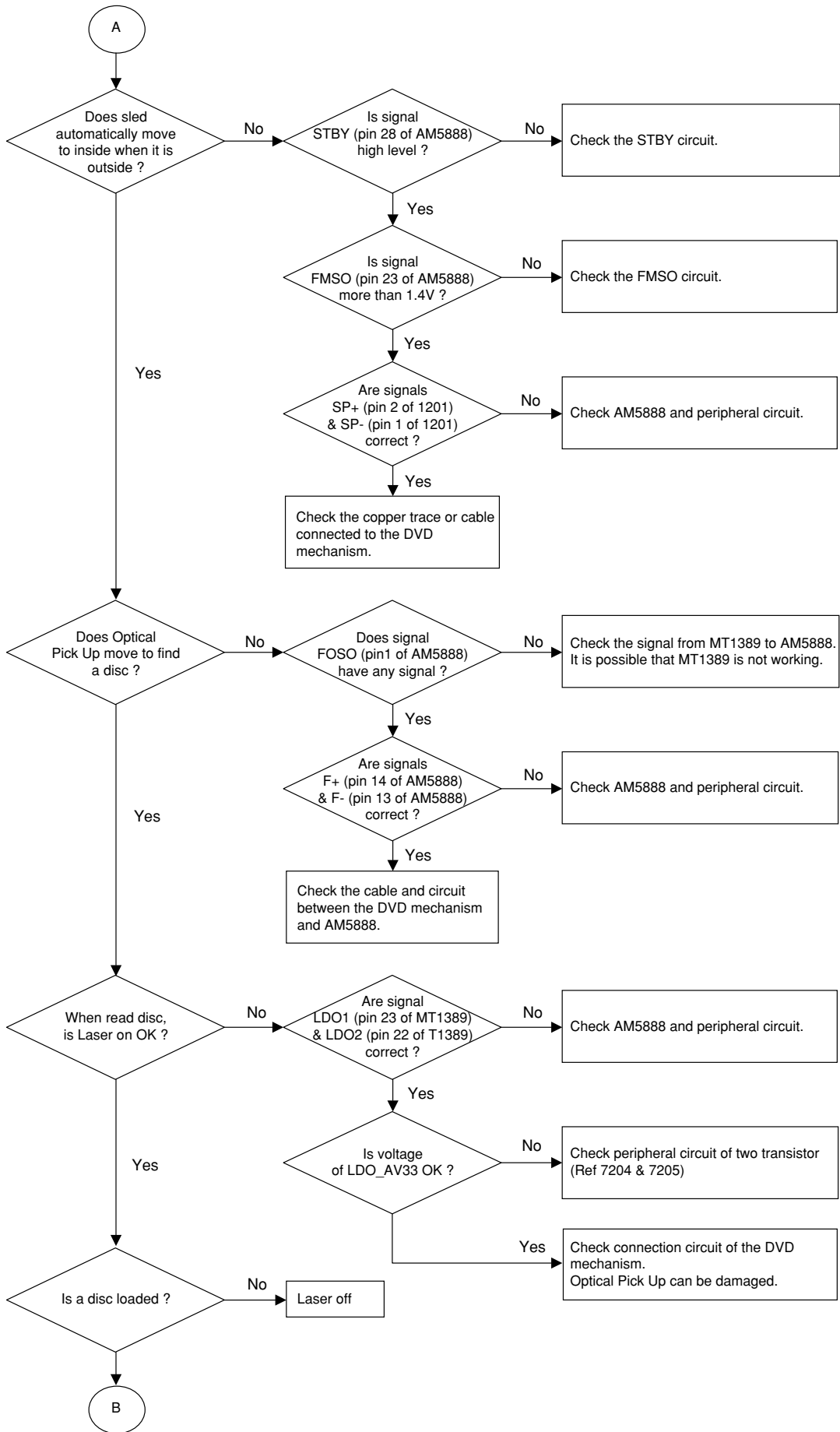
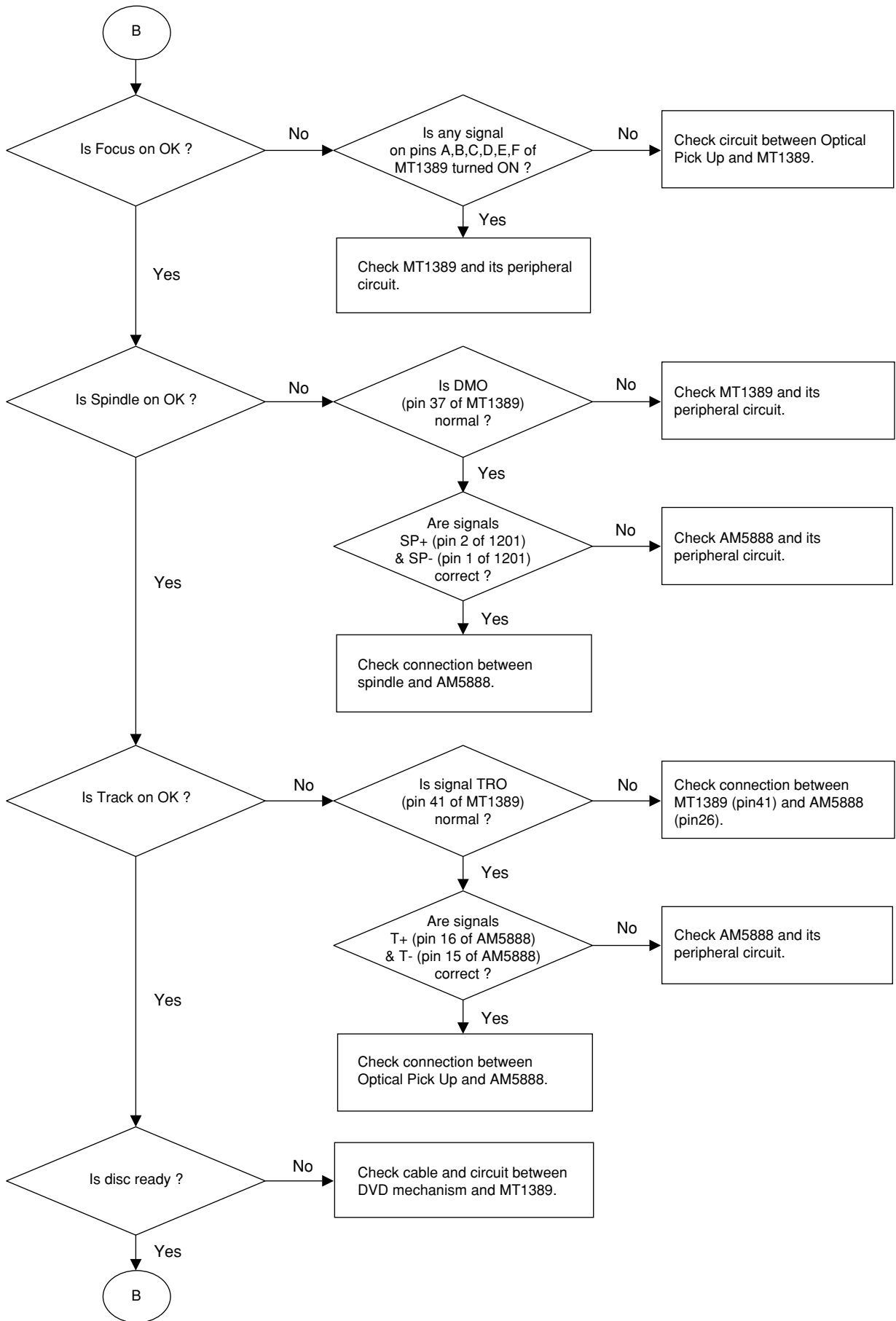


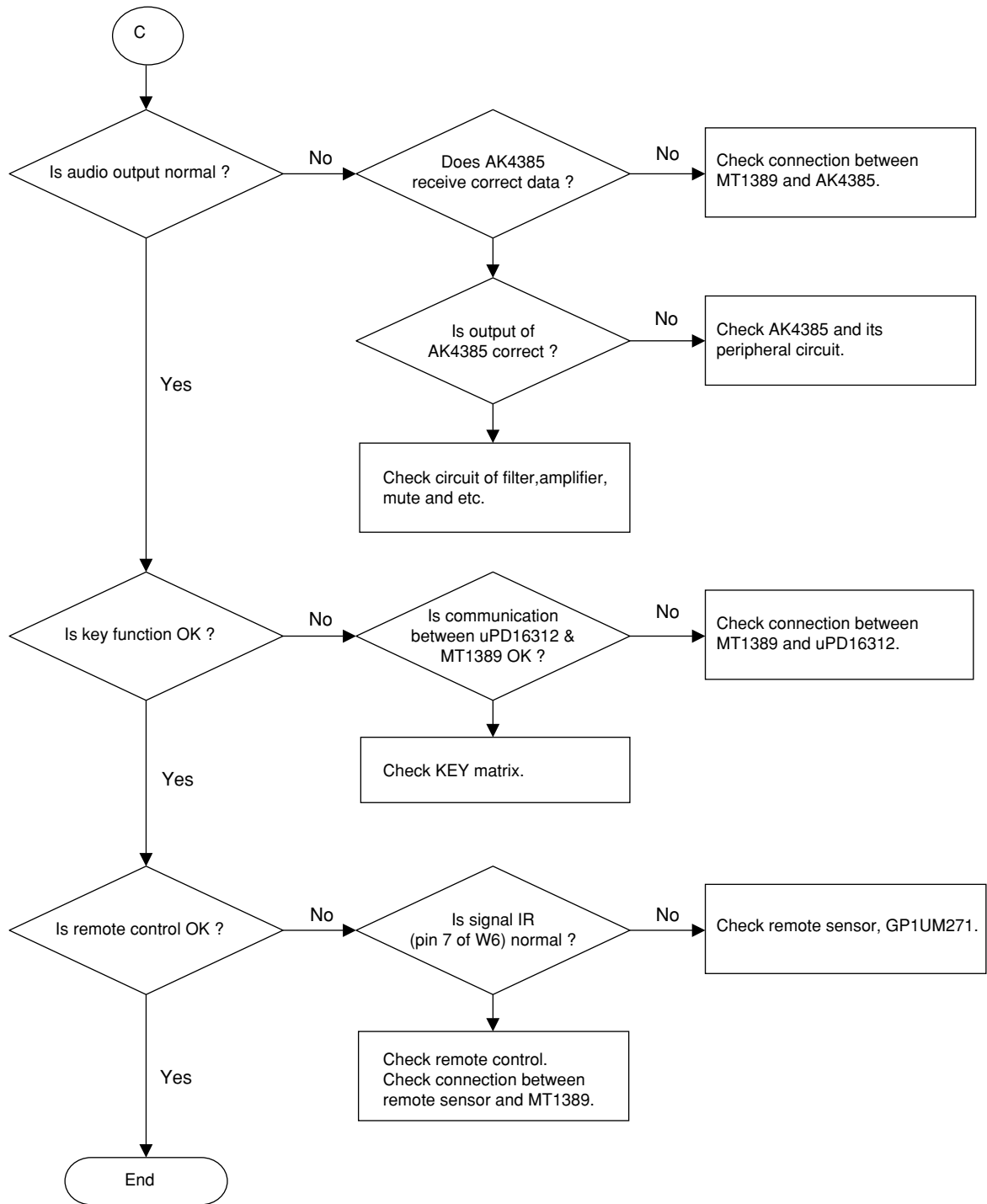
Fig. 7

MAINTENANCE FLOW CHART

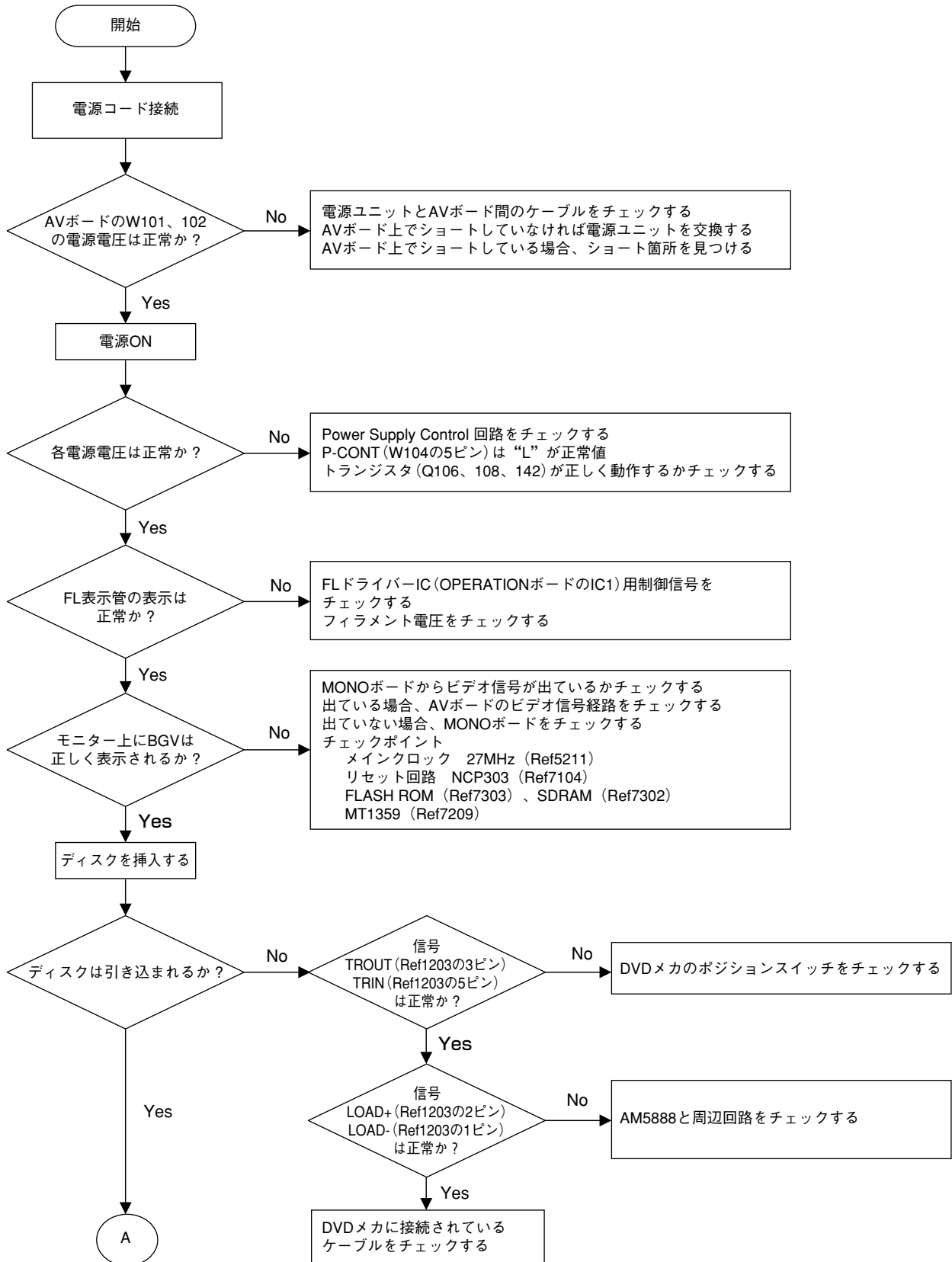


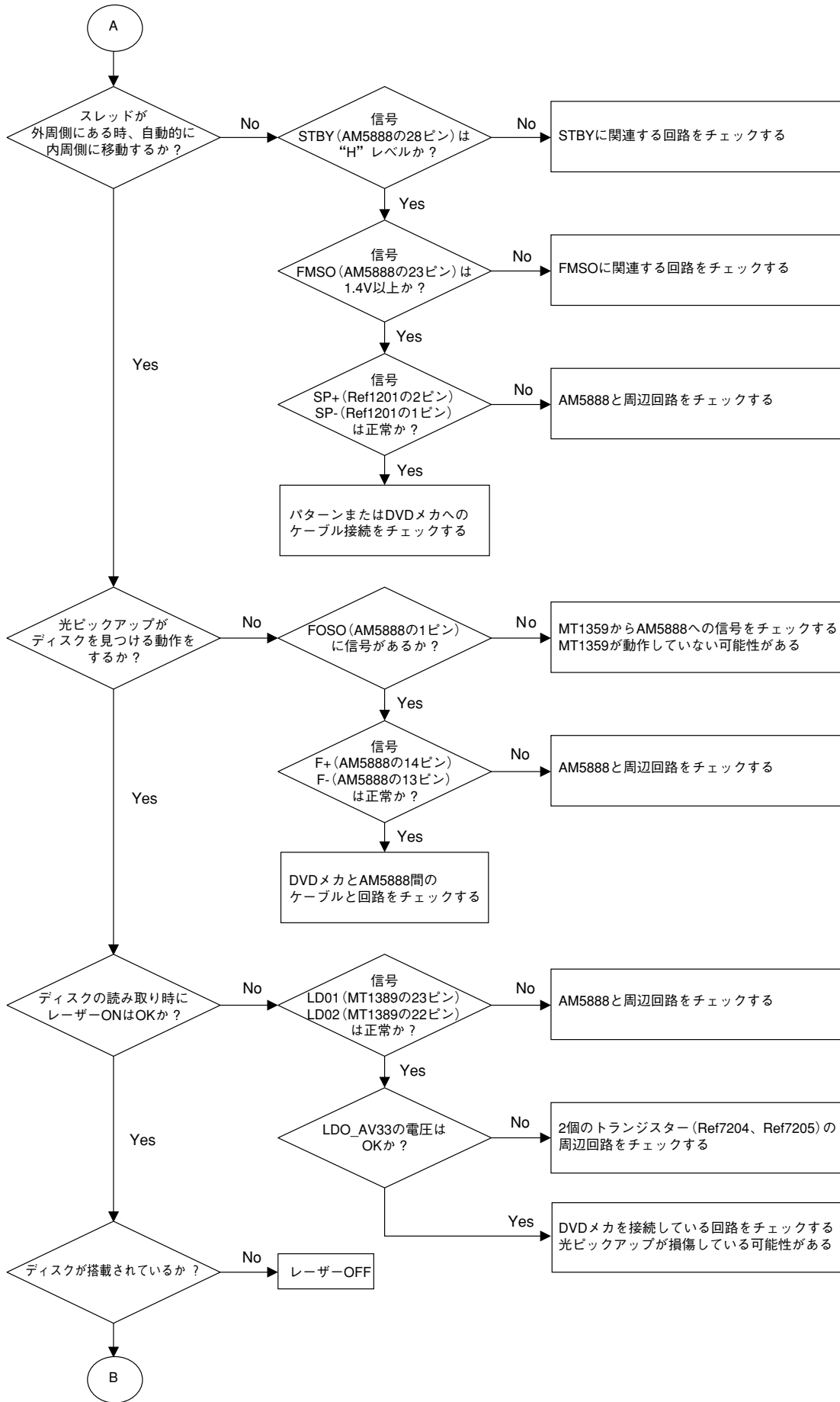


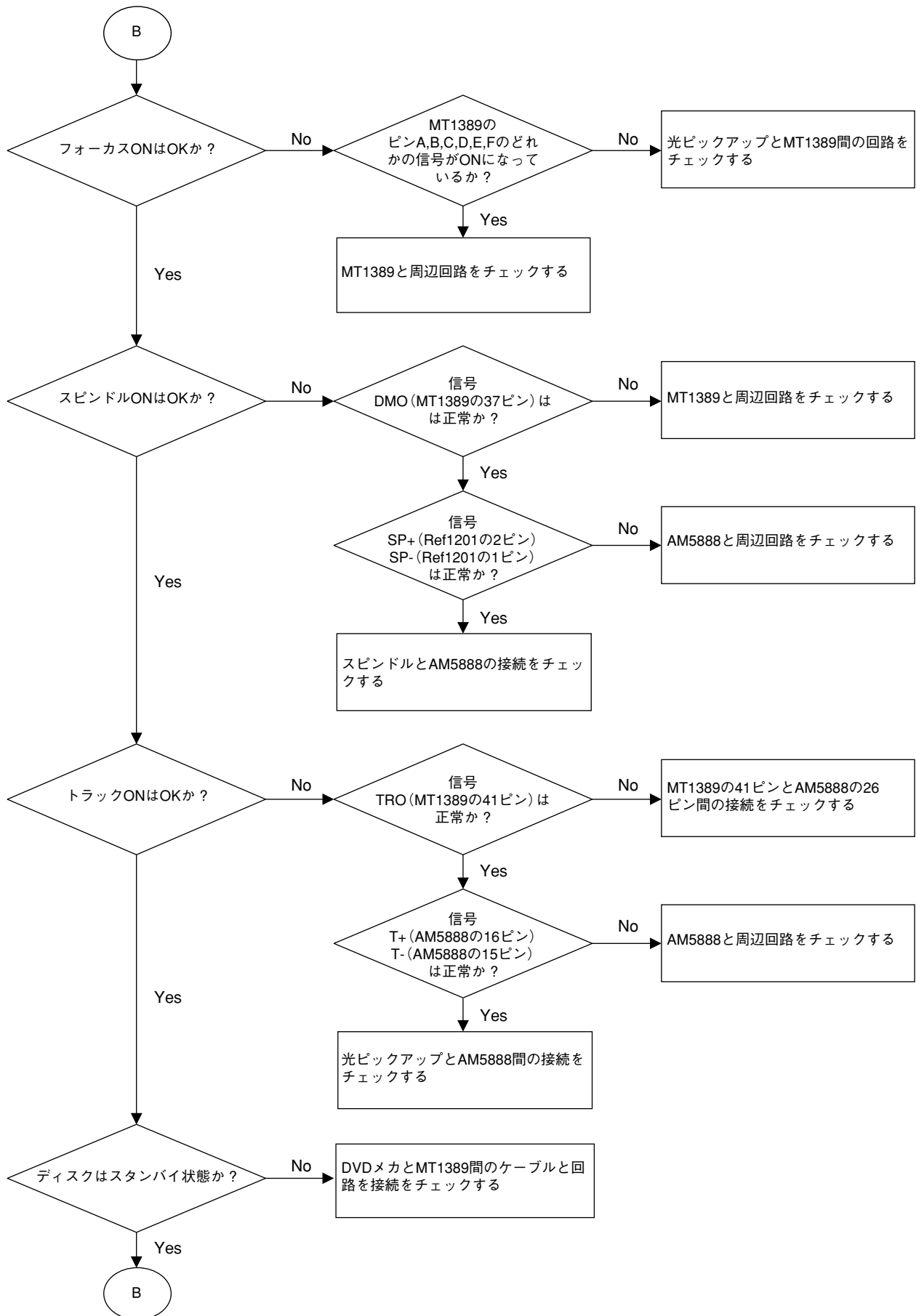


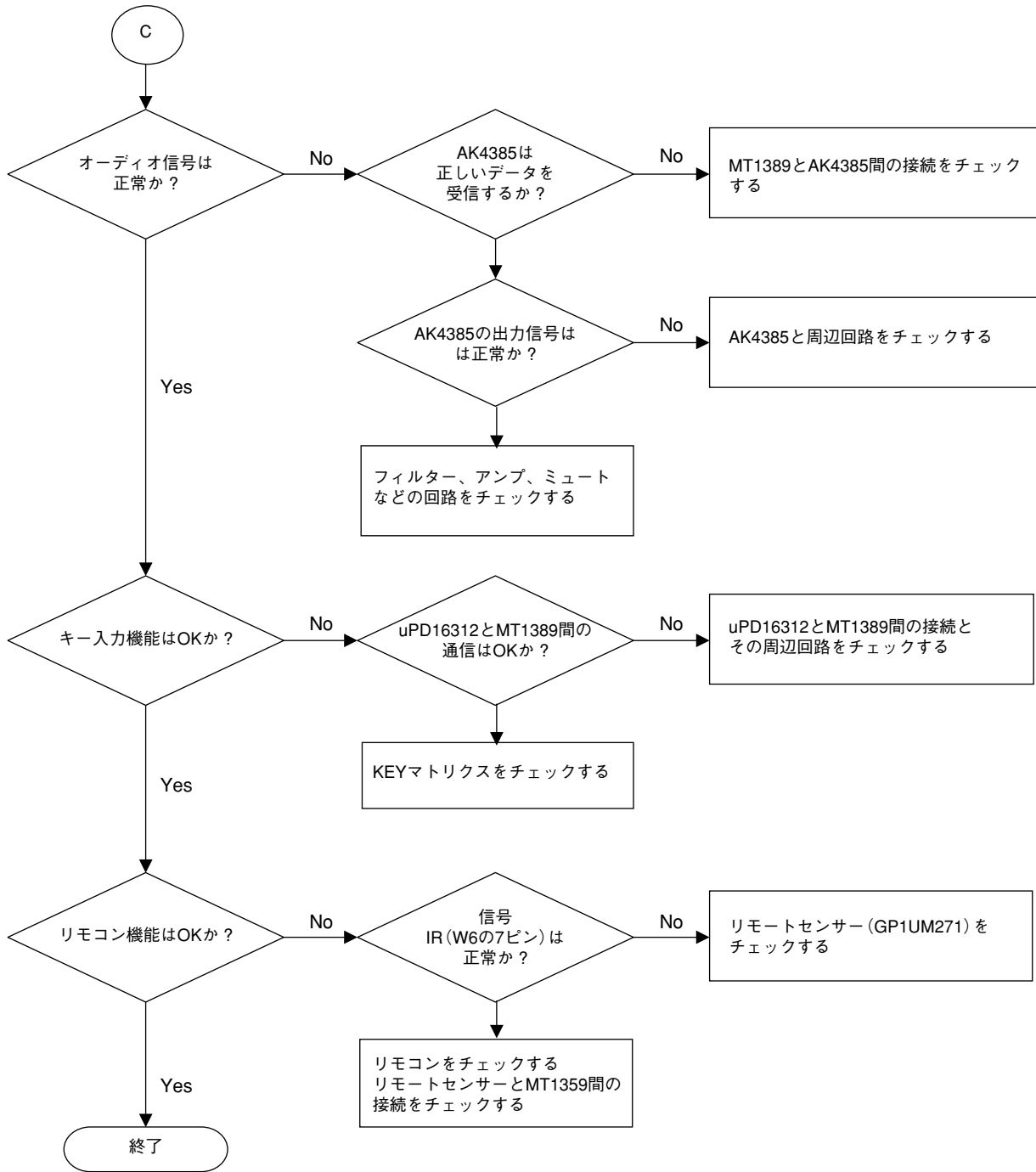


■ メンテナンスフローチャート





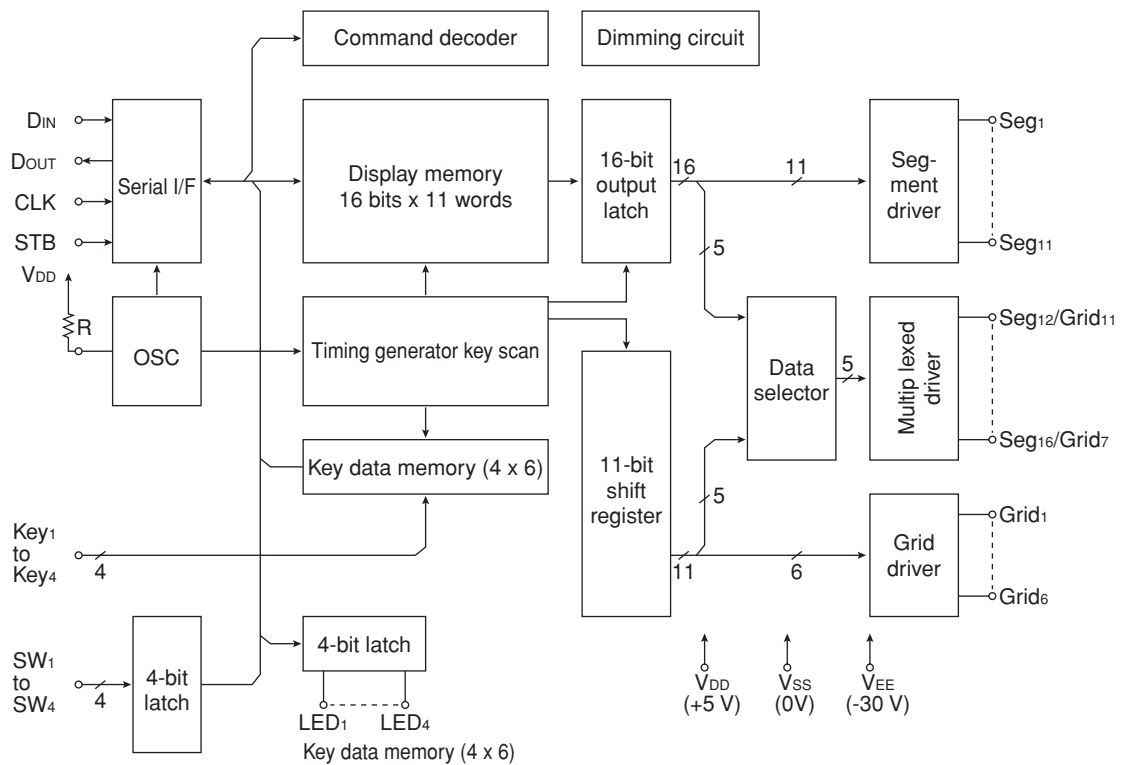
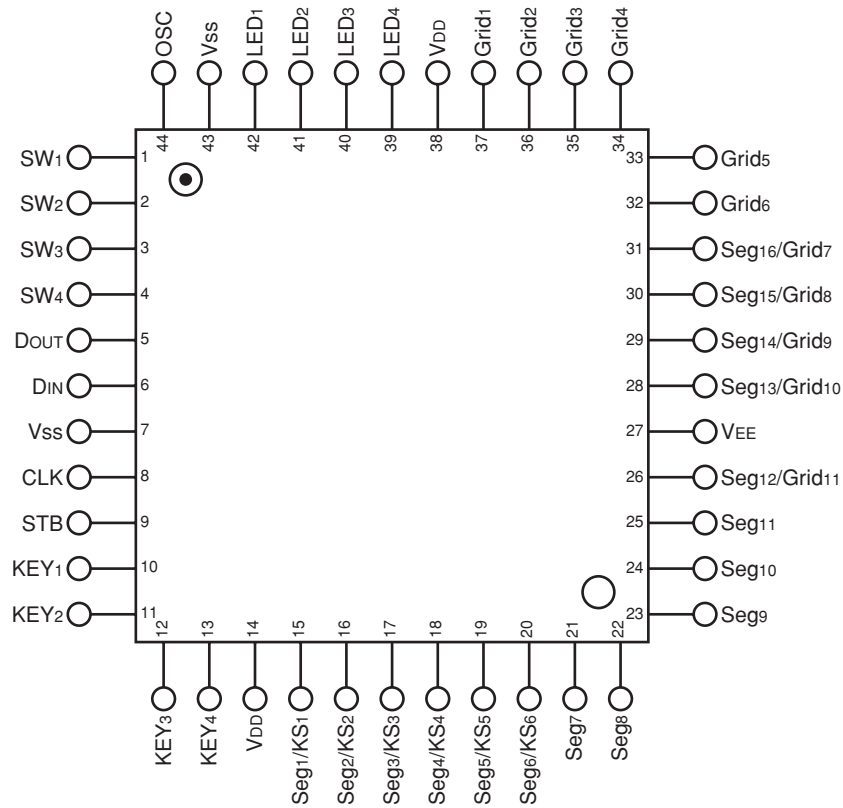




■ IC DATA

IC1 : μ PD16312GB-3B4 (OPERATION P.C.B.)

DVD-S30

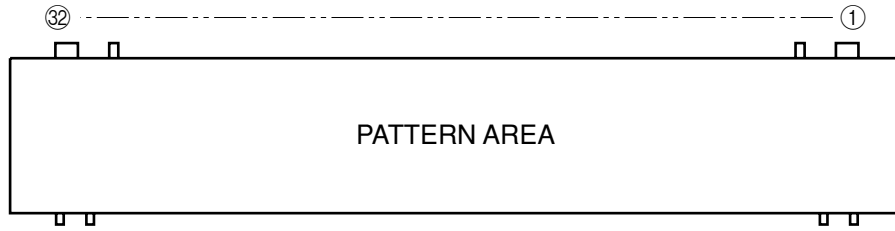


IC1 : μ PD16312GB-3B4 (OPERATION P.C.B.)

No.	Name	Symbol	Description
1	Switch input	SW1	These pins constitute a 4-bit general-purpose input port.
2		SW2	
3		SW3	
4		SW4	
5	Data output	DOUT	Output serial data at the falling edge of the shift clock, starting from low order bit. This is N-ch open-drain output pin.
6	Data input	DIN	Input serial data at rising edge of shift clock, starting from the low order bit.
7	Logic ground	VSS	Connect this pin to system GND.
8	Clock input	CLK	Reads serial data at the rising edge, and outputs data at the falling edge.
9	Strobe	STB	Initializes serial interface at the rising or falling edge of the μ PD16312. It then waits for reception of a command. Data input after STB has fallen is processed as a command. While command data is processed, current processing is stopped, and the serial interface is initialized. While STB is high, CLK is ignored.
10	Key data input	KEY1	Data input to these pins is latched at the end of the display cycle.
11		KEY2	
12		KEY3	
13		KEY4	
14	Logic power	VDD	5 V \pm 10 %
15	High-voltage output	Seg1/KS1	Segment output pins (Dual function as key source)
16		Seg2/KS2	
17		Seg3/KS3	
18		Seg4/KS4	
19		Seg5/KS5	
20		Seg6/KS6	
21	High-voltage output (segment)	Seg7	Segment output pins
22		Seg8	
23		Seg9	
24		Seg10	
25		Seg11	
26	High-voltage output (segment/grid)	Seg12/Grid11	These pins are selectable for segment or grid driving.
27	Pull-down level	VEE	VDD - 35 V max.
28	High-voltage output (segment/grid)	Seg13/Grid10	These pins are selectable for segment or grid driving.
29		Seg14/Grid9	
30		Seg15/Grid8	
31		Seg16/Grid7	
32	High-voltage output (grid)	Grid6	Grid output pins
33		Grid5	
34		Grid4	
35		Grid3	
36		Grid2	
37		Grid1	
38	Logic power	VDD	5 V \pm 10 %
39	LED output	LED4	CMOS output. +20 mA max.
40		LED3	
41		LED2	
42		LED1	
43	Logic ground	VSS	Connect this pin to system GND.
44	Oscillator pin	OSC	Connect resistor to this pin to determine the oscillation frequency to this pin.

■ DISPLAY DATA

● V1 : 7-ST-41NK (WF763400)

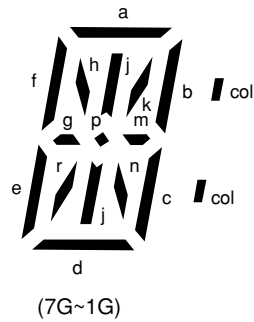
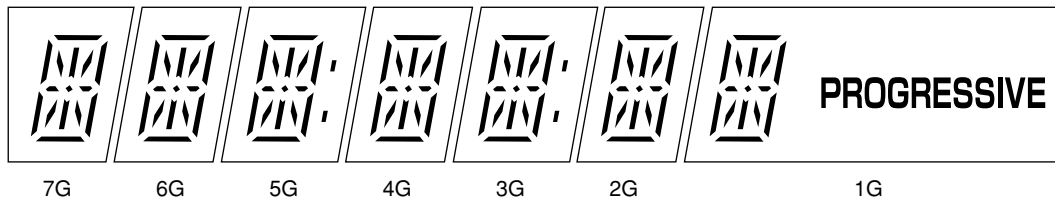


● PIN CONNECTION

Pin No.	32	31	30	29	28	27	26	25	24	23	22	21	20	19	18	17	16	15	14	13	12	11	10	9	8	7	6	5	4	3	2	1
Connection	F2	NX	NP	1G	2G	3G	4G	5G	6G	7G	NX	NX	NX	NX	P15	P14	P13	P12	P11	P10	P9	P8	P7	P6	P5	P4	P3	P2	P1	NP	NX	F1

Note : 1) F1, F2 Filament 2) NP No pin 3) NX No extened Pin 4) 1G ~ 7G Grid

● GRID ASSIGNMENT



(7G~1G)

● ANODE CONNECTION

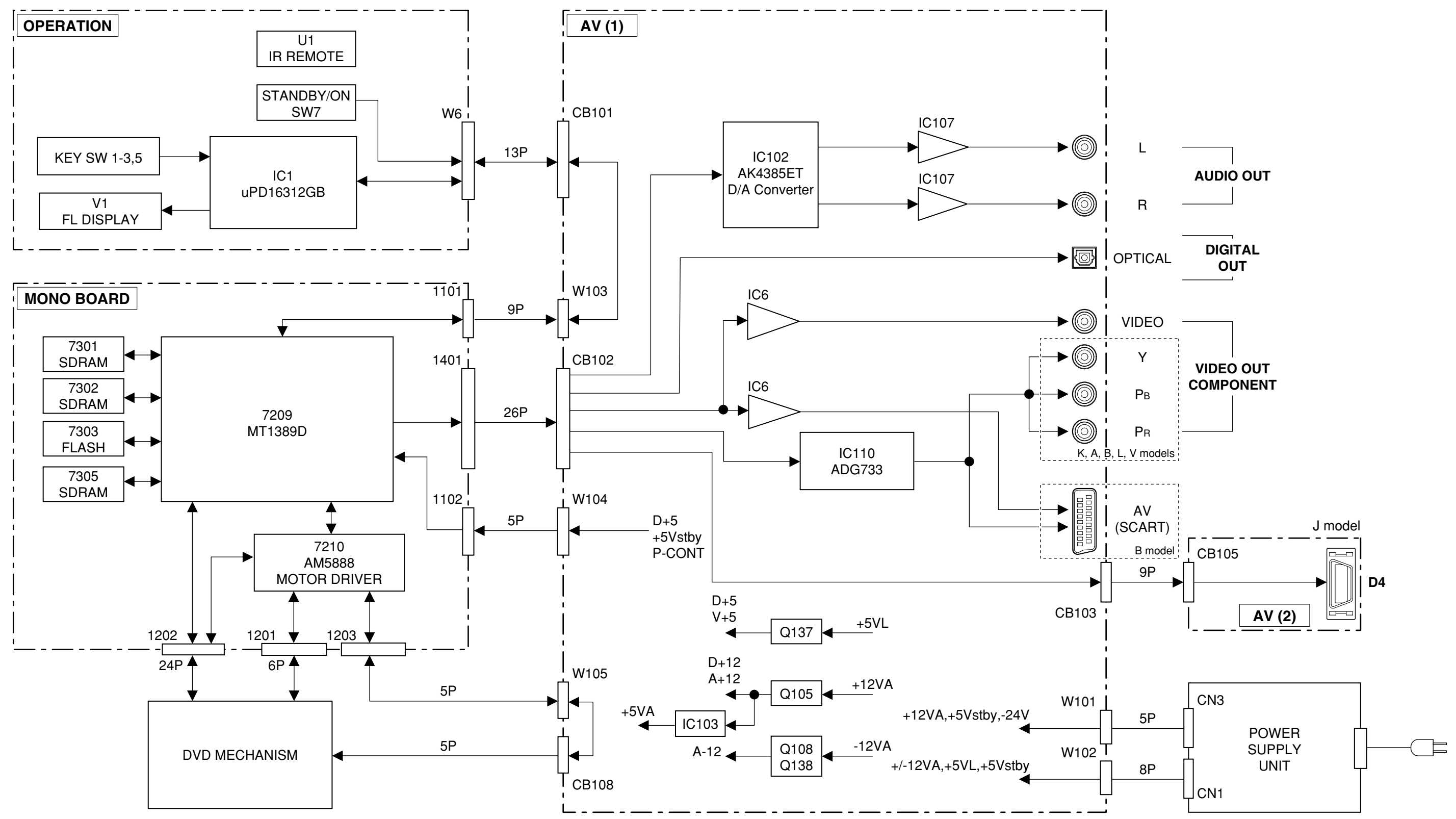
	7G	6G	5G	4G	3G	2G	1G
P1	a	a	a	a	a	a	a
P2	j	j	j	j	j	j	j
P3	h	h	h	h	h	h	h
P4	k	k	k	k	k	k	k
P5	b	b	b	b	b	b	b
P6	f	f	f	f	f	f	f
P7	m	m	m	m	m	m	m
P8	g	g	g	g	g	g	g
P9	c	c	c	c	c	c	c
P10	e	e	e	e	e	e	e
P11	r	r	r	r	r	r	r
P12	n	n	n	n	n	n	n
P13	d	d	d	d	d	d	d
P14	—	—	col	—	col	—	PROGRESSIVE
P15	p	p	p	p	p	p	p

MEMO

DVD-S30

A large empty rectangular frame with a double-line border, intended for a memo. The frame is centered on the page and occupies most of the page's width and height.

1 ■ BLOCK DIAGRAM



■ PRINTED CIRCUIT BOARD

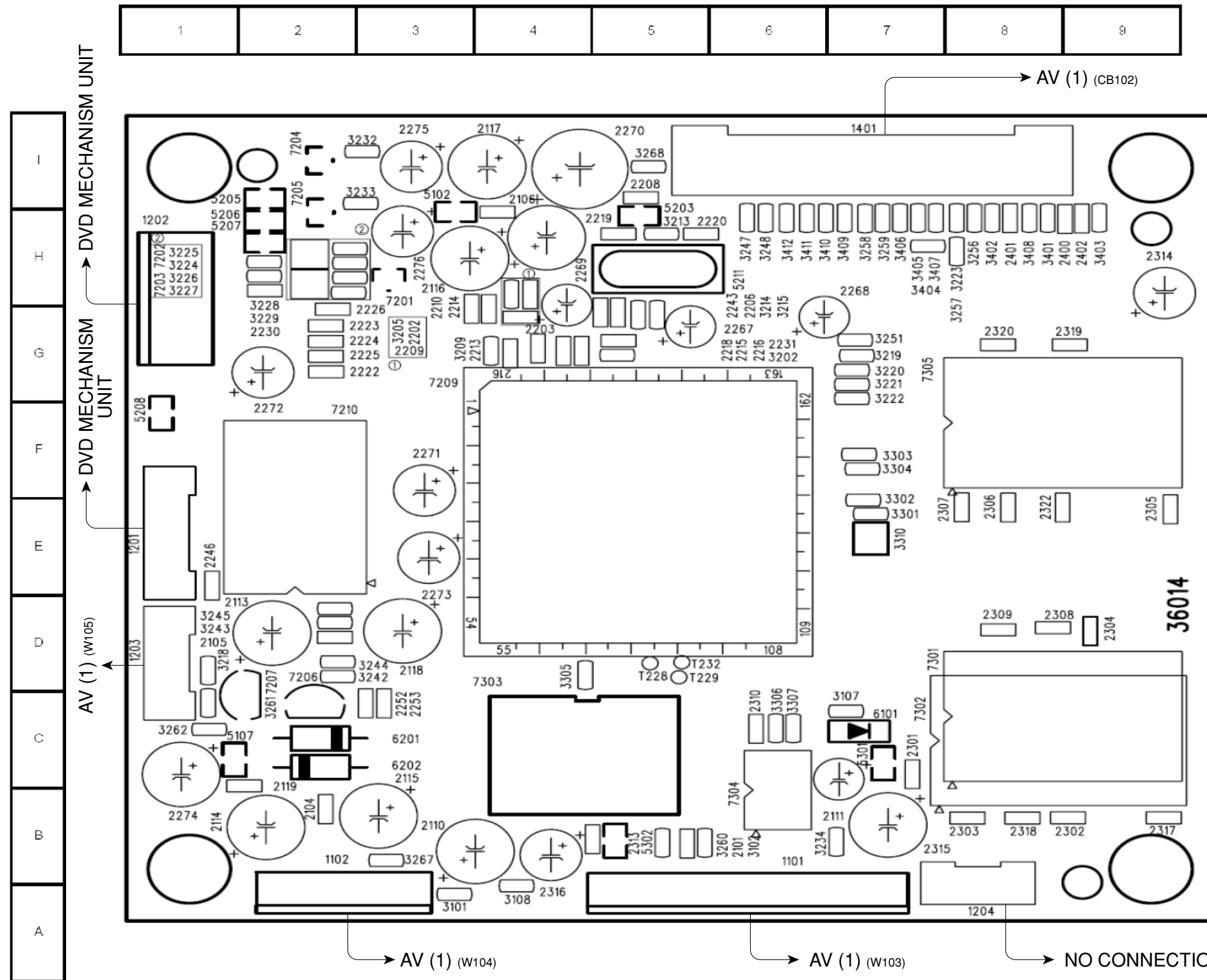
FOR INFORMATION ONLY (NO REPLACEMENT COMPONENT PARTS WILL BE AVAILABLE)

The first digit of a component indicates the component type.

1xxx : Connector 3xxx : Resistor 5xxx : Coil 7xxx : IC, Transistor, FET
 2xxx : Capacitor 4xxx : SMD jumper 6xxx : Diode 9xxx : Wire jumper

MONO (Side A)

SD8.1



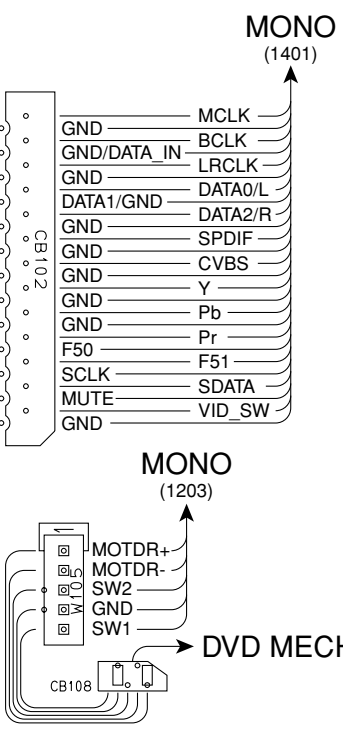
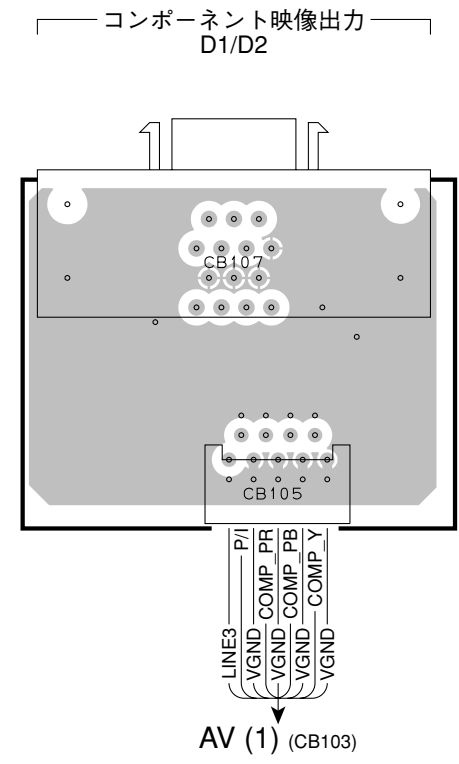
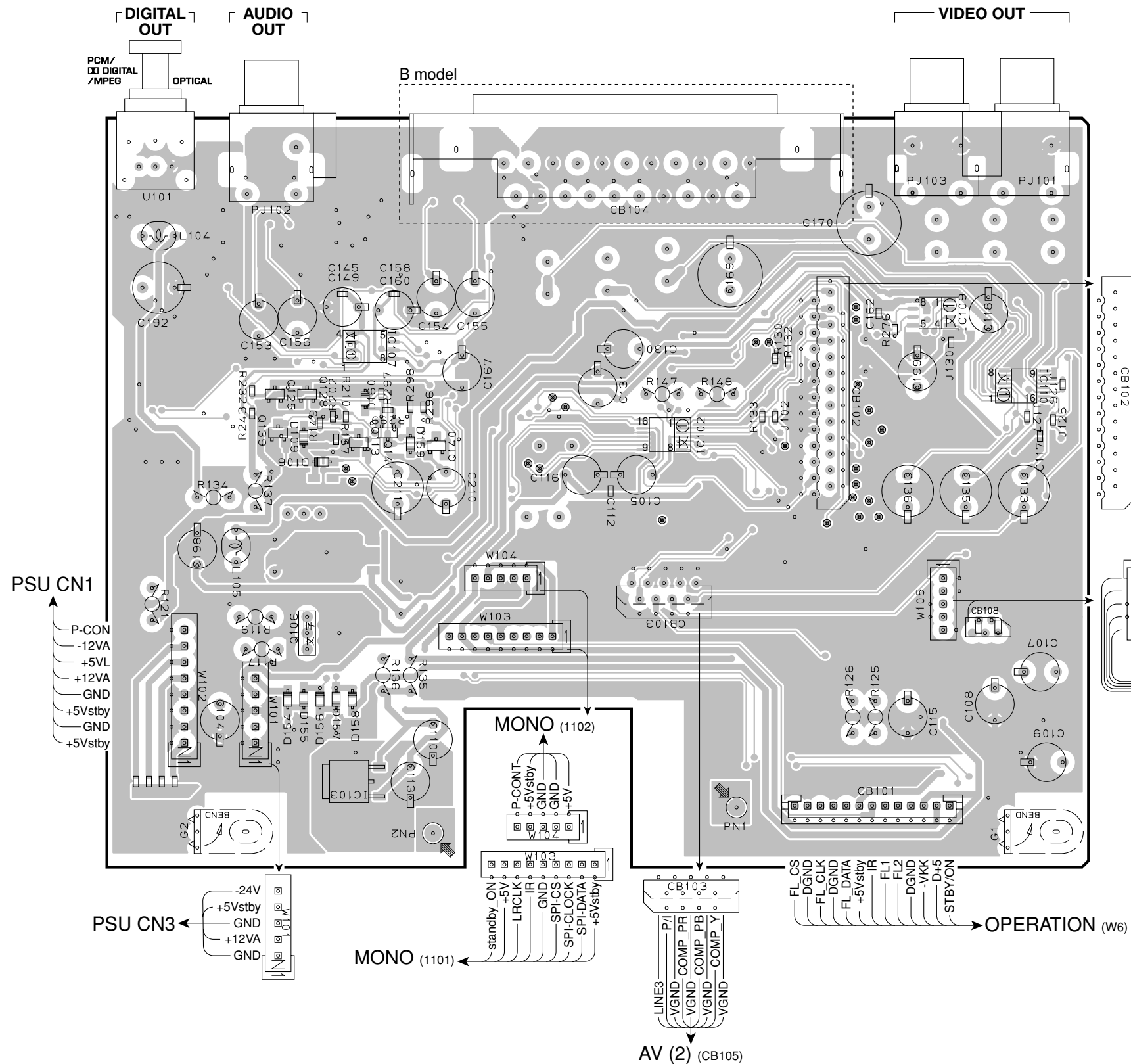
1101 A7	2301 B7	3256 I8	7304 B6
1102 A3	2302 B9	3257 H8	7305 F9
1201 F1	2303 B8	3258 I7	T228 C5
1202 H1	2304 D9	3259 I7	T229 C5
1203 D1	2305 E9	3260 A5	T232 D5
1204 A7	2306 E8	3261 C1	
1401 I8	2307 E8	3262 C1	
2101 A5	2308 D8	3267 B3	
2104 B2	2309 D8	3268 I5	
2105 D2	2310 C6	3301 E7	
2106 I4	2313 A4	3302 E7	
2110 A3	2314 H9	3303 F7	
2111 B7	2315 B7	3304 F7	
2113 D2	2316 A4	3305 C4	
2114 B2	2317 B9	3306 C6	
2115 B3	2318 B8	3307 C6	
2116 H3	2319 G9	3310 E7	
2117 I4	2320 G8	3401 I8	
2118 D3	2322 E9	3402 I8	
2119 B1	2400 I9	3403 I9	
2202 H4	2401 I8	3404 H7	
2203 H4	2402 I9	3405 I7	
2206 H5	3101 A3	3406 I7	
2208 I5	3102 A5	3407 I7	
2209 H4	3107 C7	3408 I8	
2210 H3	3108 A4	3409 I7	
2213 G4	3202 G5	3410 I6	
2214 H4	3205 H4	3411 I6	
2215 G4	3209 G4	3412 I6	
2216 G4	3213 H5	5102 I3	
2218 G4	3214 H5	5107 B1	
2219 H5	3215 H5	5203 I5	
2220 H5	3218 C1	5205 I2	
2222 G2	3219 G7	5206 I2	
2223 G2	3220 G7	5207 H2	
2224 G2	3221 G7	5208 F1	
2225 G2	3222 G7	5211 H5	
2226 H2	3223 I8	5301 B7	
2230 H2	3224 H2	5302 A5	
2231 G5	3225 H2	6101 C7	
2243 H5	3226 H2	6201 C2	
2246 D1	3227 H2	6202 B3	
2252 C2	3228 H2	7201 H3	
2253 C3	3229 H2	7202 H2	
2267 G5	3232 I3	7203 H2	
2268 H6	3233 I3	7204 I2	
2269 H4	3234 A7	7205 I2	
2270 I4	3242 C2	7206 C2	
2271 F3	3243 D2	7207 C2	
2272 G2	3244 D2	7209 E5	
2273 E3	3245 D2	7210 E2	
2274 B1	3247 I6	7301 C9	
2275 I3	3248 I6	7302 C8	
2276 I3	3251 G7	7303 C4	

PRINTED CIRCUIT BOARD (Foil side)

AV (1) P.C.B. (Side A) Lead Free Solder Used

AV (2) P.C.B. (Side A) Lead Free Solder Used

(J model)



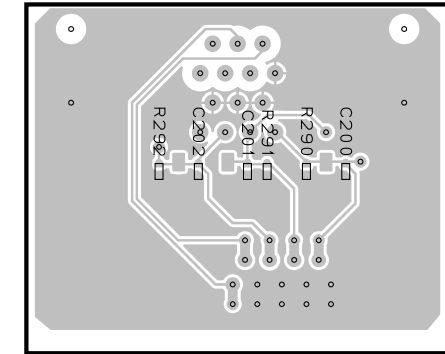
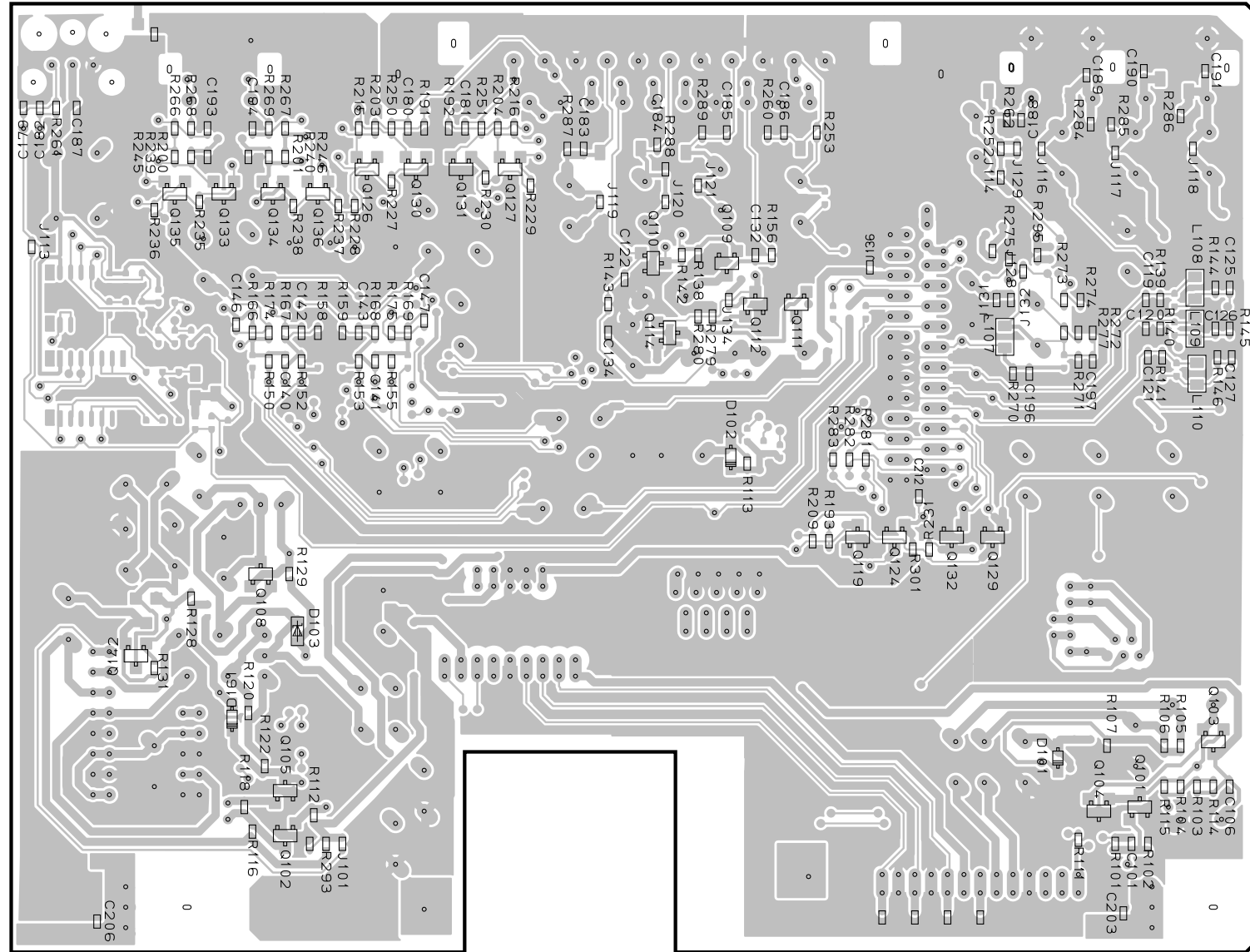
• Semiconductor Location

Ref no.	Location	Ref no.	Location	Ref no.	Location
D106	C4	D159	C4	Q106	C5
D109	B4	D160	C4	Q113	C4
D154	B5	IC102	D4	Q125	B4
D155	B5	IC103	C5	Q128	B4
D156	C5	IC107	C3	Q139	B4
D157	C5	IC109	F3	Q140	C4
D158	C5	IC110	F3	Q141	C4

1 ■ PRINTED CIRCUIT BOARD (Foil side)

AV (1) P.C.B. (Side B) Lead Free Solder Used

AV (2) P.C.B. (Side B) Lead Free Solder Used
(J model)



6 • Semiconductor Location

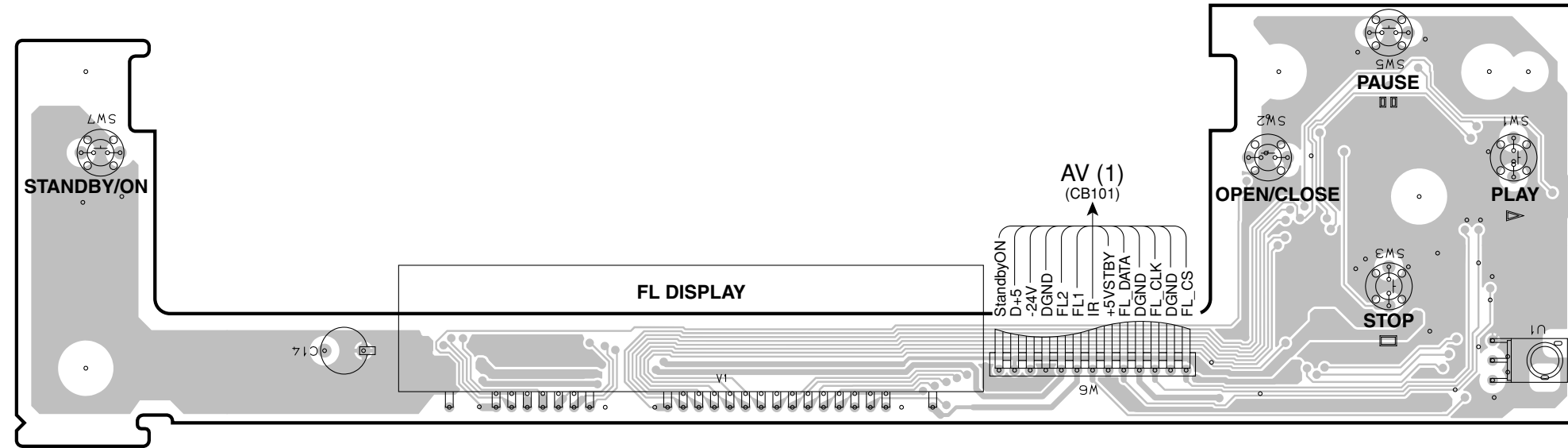
Ref no.	Location	Ref no.	Location	Ref no.	Location
D101	F5	Q109	D3	Q130	C3
D102	D4	Q110	D3	Q131	C3
D103	C5	Q111	E3	Q132	E4
D161	B5	Q112	D3	Q133	B3
Q101	F5	Q114	D3	Q134	B3
Q102	C5	Q119	E4	Q135	B3
Q103	F5	Q124	E4	Q136	C3
Q104	F5	Q126	C3	Q142	B5
Q105	C5	Q127	C3		
Q108	C4	Q129	E4		

Circuit No.	A, K, L, V	B	J
CB103	X	X	O
CB104	X	O	X
CB105	X	X	O
CB107	X	X	O
C117, 162	X	O	X
C118	X	O	X
C122	X	O	X
C130	X	O	X
C131	X	O	X
C132, 134	X	O	X
C133, 135, 136	X	X	O
C169, 199	X	O	X
C170	X	O	O
C183-186	X	O	X
C189, 190, 191	O	O	X
C200-202	X	X	O
IC109	X	O	X
IC110	X	O	X
J114, 116-118	O	O	X
J119, 120, 121, 134	X	O	X
J125-127	O	X	X
J128, 129	O	X	O
PJ101	O	O	X
PJ103	X	X	O
Q109	X	O	X
Q110-112	X	O	X
Q114	X	O	X
Q119	X	X	O
Q124	X	X	O
Q129, 132	X	X	O
R138	X	O	X
R142, 273-276	X	O	X
R143	X	O	X
R147, 148	X	O	X
R156, 272, 252, 253	X	O	X
R193, 290-292	X	X	O
R209	X	X	O
R231	X	X	O
R260, 277, 287-289	X	O	X
R284-286	O	O	X
R295	X	O	X

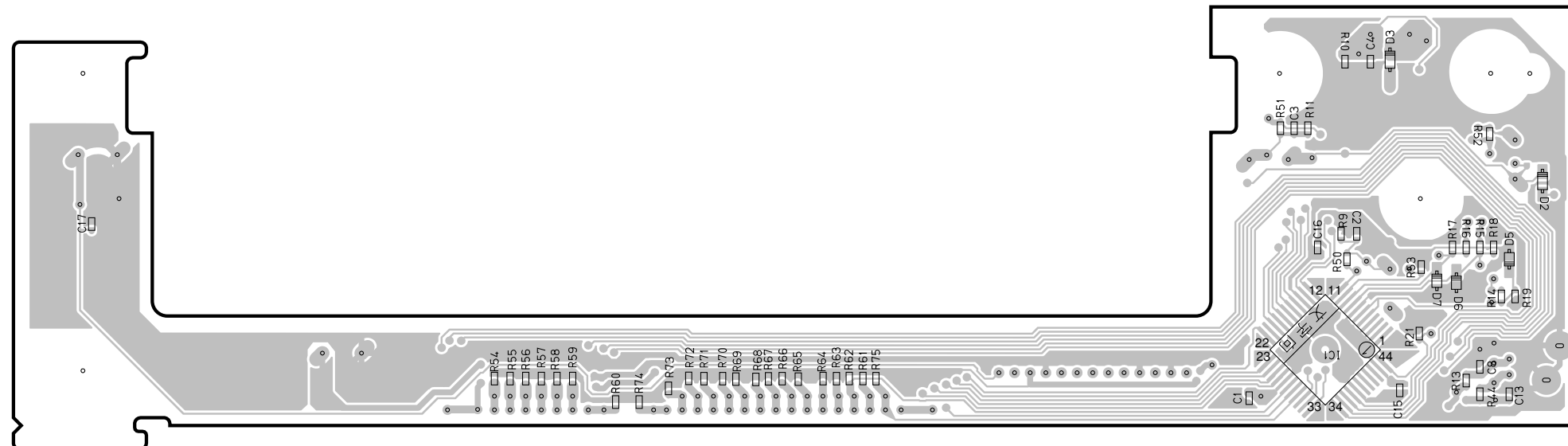
X : NOT USED
O : USED/APPLICABLE

■ PRINTED CIRCUIT BOARD (Foil side)

OPERATION (1) P.C.B. (Side A) Lead Free Solder Used



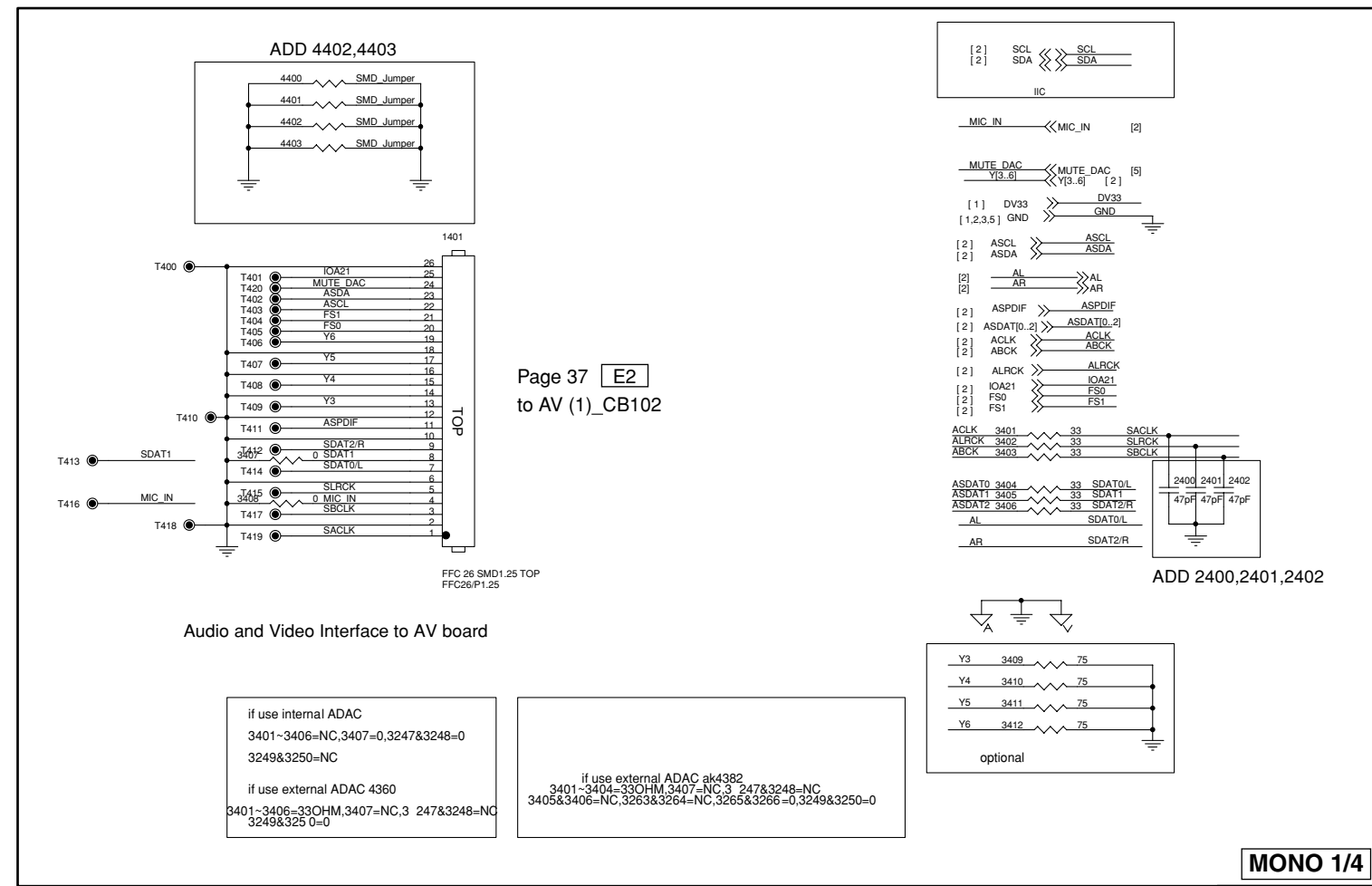
OPERATION (1) P.C.B. (Side B) Lead Free Solder Used



• Semiconductor Location

Ref no.	Location
D2	I5
D3	H5
D5	H5
D6	H5
D7	H5
IC1	H6

SCHEMATIC DIAGRAM (MONO)
FOR INFORMATION ONLY (NO REPLACEMENT COMPONENT PARTS WILL BE AVAILABLE)

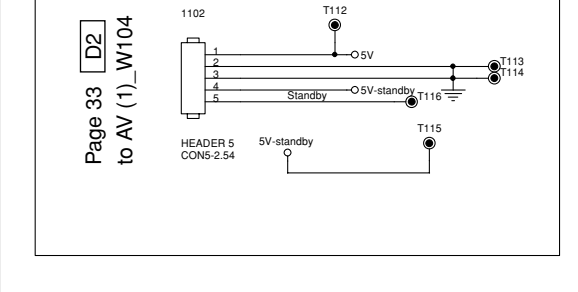
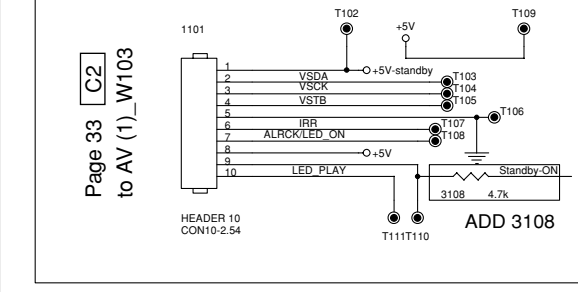


MT1389D (LQFP216) DVD Main Board for KHM310&HD62

- 1 INDEX & POWER, RESET
- 2 RF, SERVO & MPEG - MT1389E
- 3 MEMORY - SDRAM, FLASH/EEPROM
- 4 AV OUT

NAME	TYPE	DEVICE
VCC	Digital 5V	SUPPLY
DV33	Digital 3.3V	MT1389E
RFV33	Servo 3.3V	MT1389E
LDO_AV33	Laser Diode 3.3V	MT1389E
AVCC	RF 5V	PICKUP HEADER
V18	Digital 1.8V	MT1389E
SD33	Digital 3.3V	SDRAM
+12V	Audio +12V	OP AMP.
-12V	Audio -12V	OP AMP.
AVDD	Audio 5V	Audio DAC
DVDD	Audio 3V3	Audio DAC

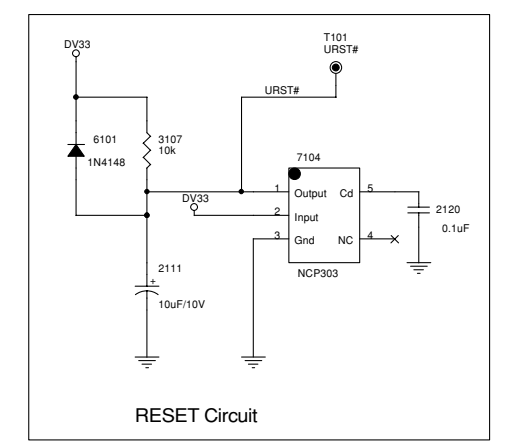
delete 5101,6102,6103



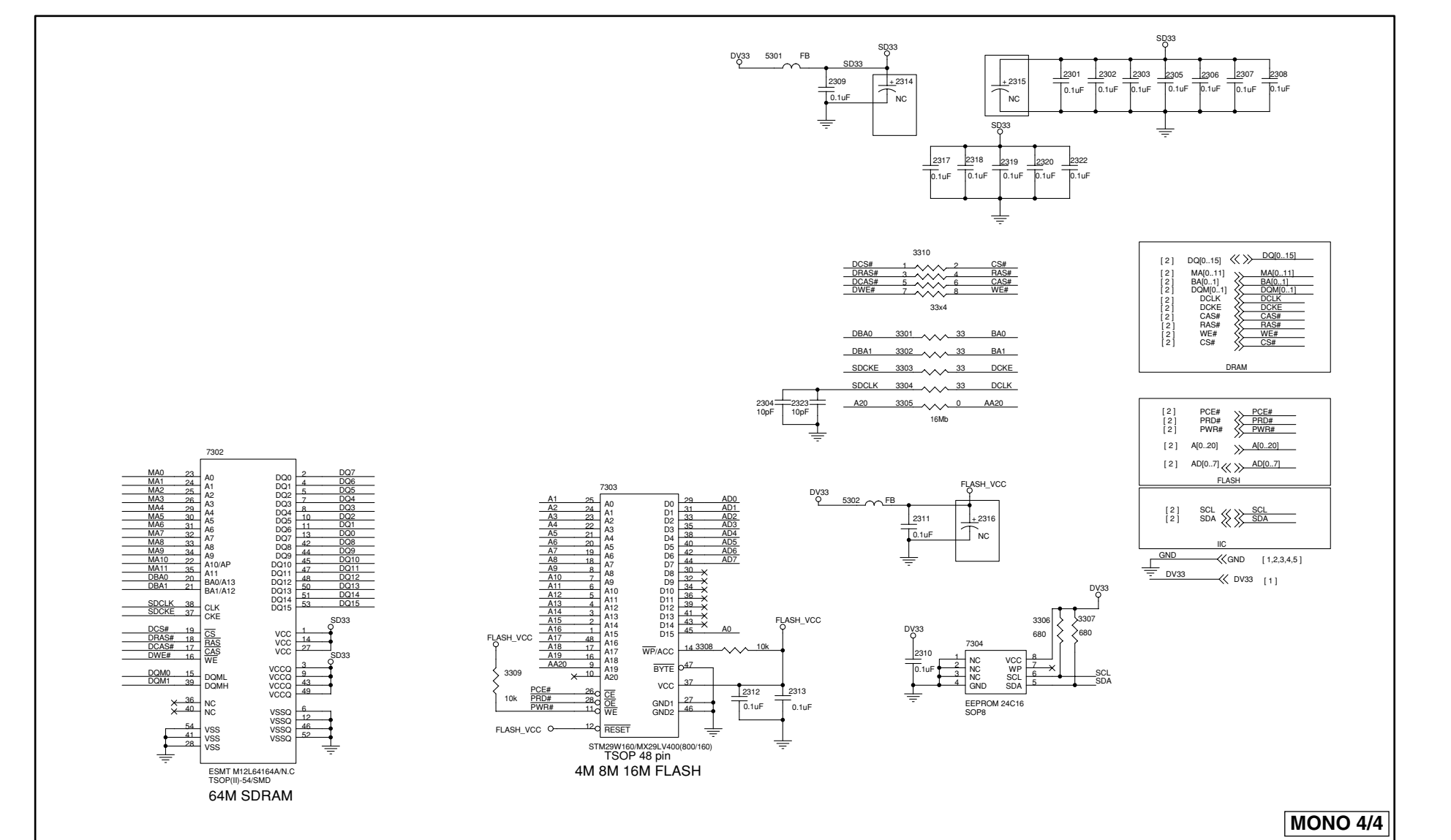
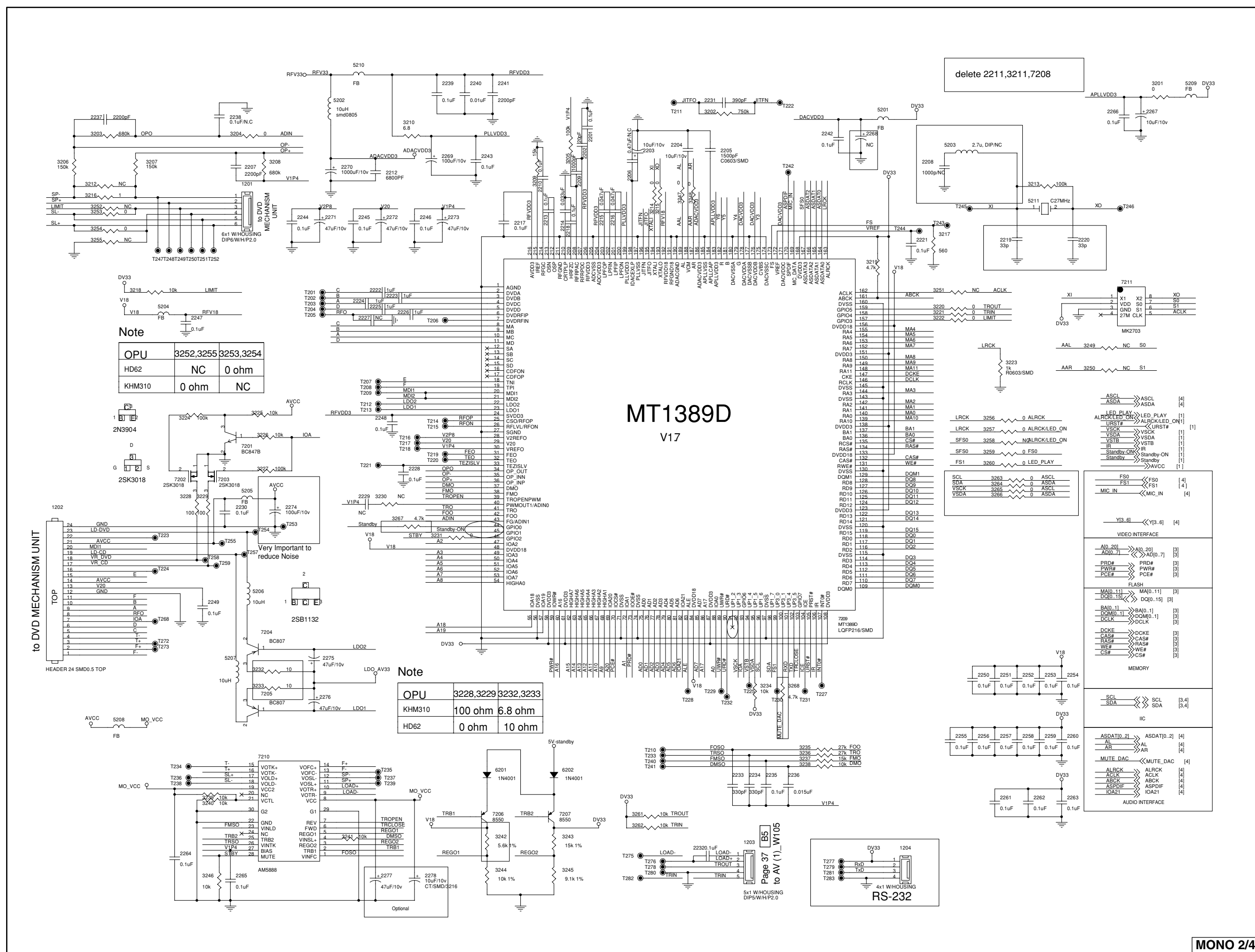
Note for Fix or Adj Regulator

Regulator	3106	3105
Fix regulator	0 ohm	OFF
Adj regulator	1%	1%

3105-680 OHM,U2 output 1.8V
3105-500 OHM,U2 output 2V



MONO 3/4

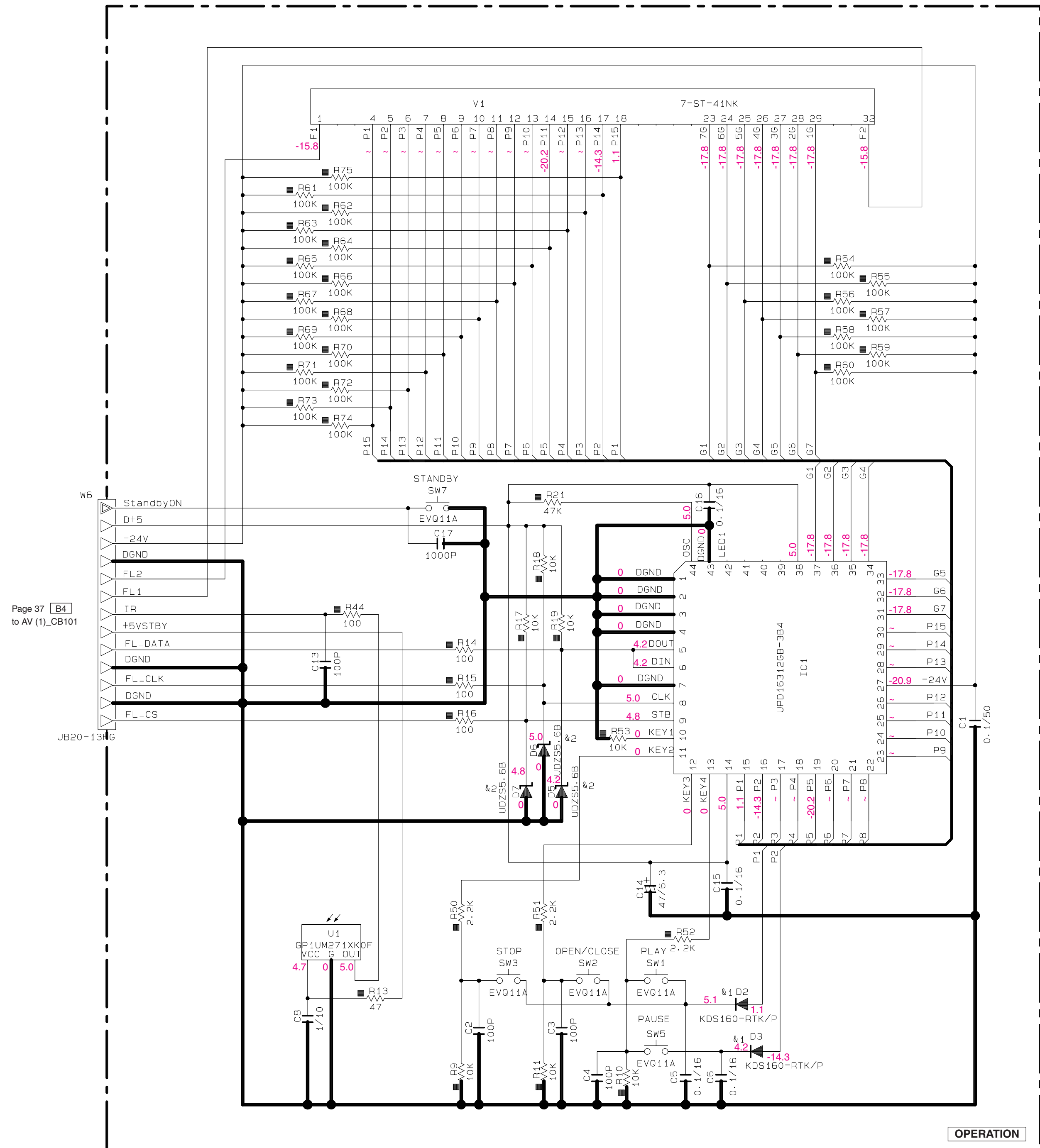


MONO

The first digit of a component indicates the component type.
1xxx : Connector 3xxx : Resistor 5xxx : Coil 7xxx : IC, Transistor, FET
2xxx : Capacitor 4xxx : SMD jumper 6xxx : Diode 9xxx : Wire jumper

★ All voltages are measured with a 10MΩ/V DC electronic volt meter.
★ Components having special characteristics are marked 1, and must be replaced with parts having specifications equal to those originally installed.
★ Schematic diagram is subject to change without notice.

● 電圧は、内抵抗10MΩの電圧計で測定したものです。
● 1印のある部品は、安全性確保部品を示しています。部品の交換が必要な場合、パーツリストに記載されている部品を使用してください。
● 本回路図は標準回路図です。改良のため予告なく変更することがございます。



Page 37 [B4] to AV (1)_CB101

JB20-1315

OPERATION

CAPACITOR

REMARKS	PARTS NAME	
NO MARK	ELECTROLYTIC CAPACITOR	⌘
⊗	TANTALUM CAPACITOR	⌘
NO MARK	CERAMIC CAPACITOR	
●	CERAMIC TUBULAR CAPACITOR	
⊙	POLYESTER FILM CAPACITOR	
○	POLYSTYRENE FILM CAPACITOR	
⊖	MICA CAPACITOR	
⊕	POLYPROPYLENE FILM CAPACITOR	
⊗	SEMICONDUCTIVE CERAMIC CAPACITOR	
⊙	POLYPHENYLENE SULFIDE FILM CAPACITOR	

NOTICE (model)
 (J)..... JAPAN
 (U)..... U.S.A
 (C)..... CANADA
 (R)..... GENERAL
 (T)..... CHINA
 (K)..... KOREA
 (A)..... AUSTRALIA
 (B)..... BRITISH
 (G)..... EUROPE
 (L)..... SINGAPORE
 (E)..... SOUTH EUROPE
 (V)..... TAIWAN

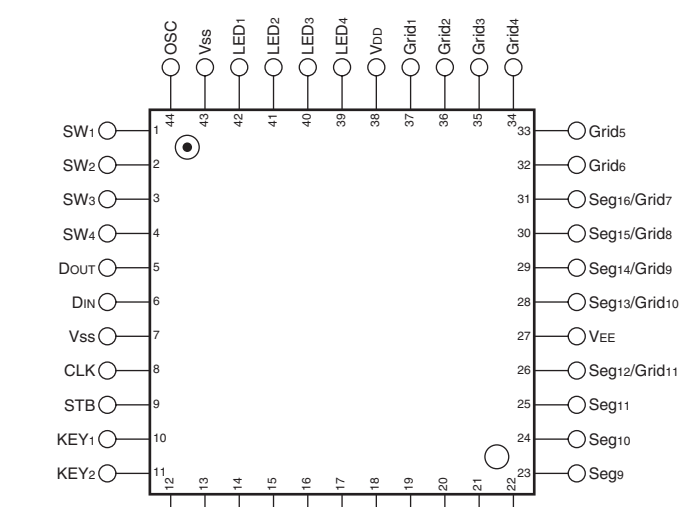
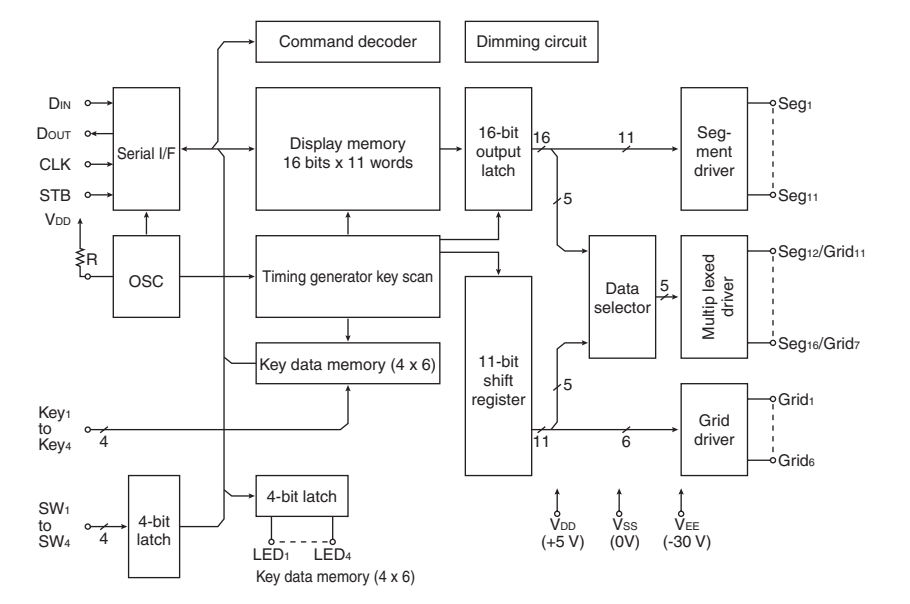
RESISTOR

REMARKS	PARTS NAME
NO MARK	CARBON FILM RESISTOR (P=5)
⊠	CARBON FILM RESISTOR (P=10)
△	METAL OXIDE FILM RESISTOR
▲	METAL FILM RESISTOR
⊠	METAL PLATE RESISTOR
⊠	FIRE PROOF CARBON FILM RESISTOR
⊠	CEMENT MOLDED RESISTOR
⊠	SEMI VARIABLE RESISTOR
⊠	CHIP RESISTOR

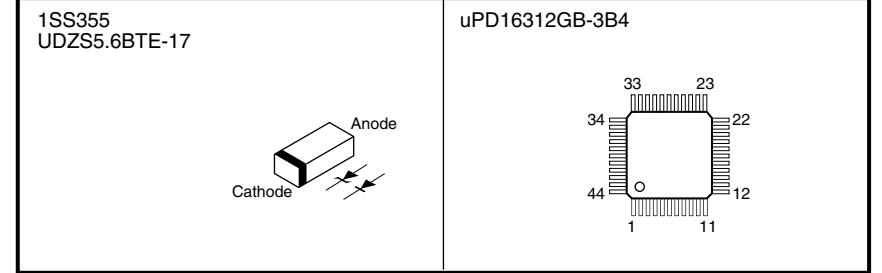
Interchangeable Parts at Manufacture-Stage

Mark	Reference Parts Number	Parts Name
&1	D2-3	KDS160-RTK/P TP MA111 FLAT TP 1SS355 TE-17 TP
&2	D5-7	UDZ55-6BTE-17 5.6V MA8055-M 5.6V

IC1: μPD16312GB-3B4
 FIP controller/driver



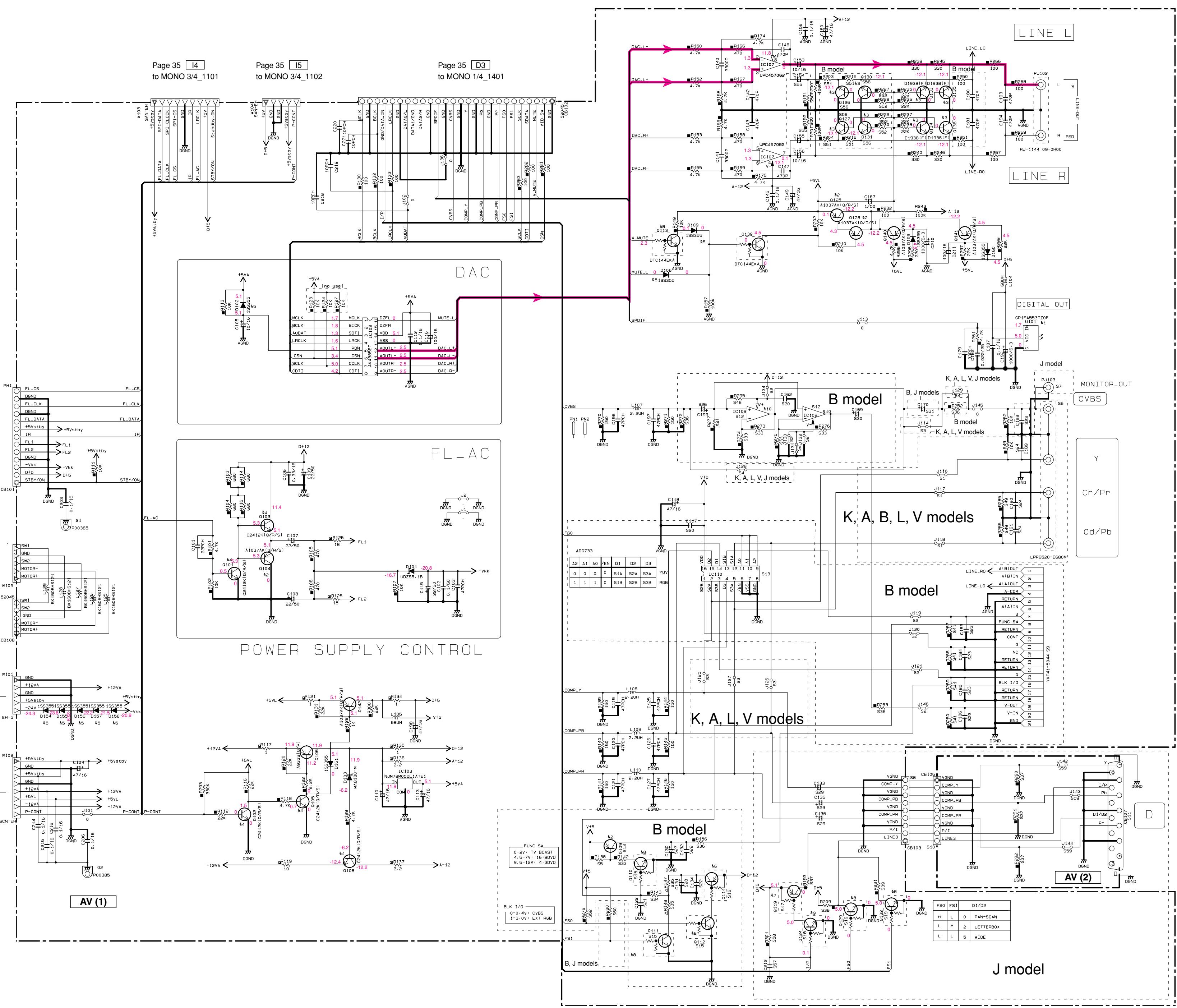
PIN CONNECTION DIAGRAM OF TRANSISTORS, DIODES AND ICs.



★ All voltages are measured with a 10MΩ/V DC electronic volt meter.
 ★ Components having special characteristics are marked with a triangle, and must be replaced with parts having specifications equal to those originally installed.
 ★ Schematic diagram is subject to change without notice.

● 電圧は、内部抵抗10MΩの電圧計で測定したものです。
 ● 印のある部品は、安全性確保部品を示しています。部品の交換が必要な場合、パーツリストに記載されている部品を使用してください。
 ● 本回路図は標準回路図です。改良のため予告なく変更することがございます。

SCHEMATIC DIAGRAM (AV)





Mark	Reference Parts Number	Parts Name
81	U01	OP1A53Z0F TOTX17(F.1)
82	G109-104-105-108	1037K G-R-S TP 125A E-F TP
83	G126-127-130-131- G133-136	108B11 G-T TP 5028A A-B 270A K TP
84	G101-102-103-105-108	241K G-R-S TP 0601AL/AG1 G-R-S
85	G102-106-109-154-158	105395 TE-17 TP M111 FLAT TP K05160-RTK/P TP
86	G114	DT114EKA TP KRA102S-RTK/P
87	G119	DT114EKA TP KRA104S-RTK/P
88	G129-130-110-113	DT114EKA TP KRC102S-RTK/P
89	G124	DT114EKA TP KRC104S-RTK/P
90	IC109	K15420ML-G AD086A2-HEEL
91	J117	RD39000
92	J120	RD39000
93	J121	RD39000
94	J129	RD39000
95	J138	RD39000
96	J139	RD39000
97	J144	RD39000
98	J145	RD39000
99	J146	RD39000
100	J147	RD39000
101	J148	RD39000
102	J149	RD39000
103	J150	RD39000
104	J151	RD39000
105	J152	RD39000
106	J153	RD39000
107	J154	RD39000
108	J155	RD39000
109	J156	RD39000
110	J157	RD39000
111	J158	RD39000
112	J159	RD39000
113	J160	RD39000
114	J161	RD39000
115	J162	RD39000
116	J163	RD39000
117	J164	RD39000
118	J165	RD39000
119	J166	RD39000
120	J167	RD39000
121	J168	RD39000
122	J169	RD39000
123	J170	RD39000
124	J171	RD39000
125	J172	RD39000
126	J173	RD39000
127	J174	RD39000
128	J175	RD39000
129	J176	RD39000
130	J177	RD39000
131	J178	RD39000
132	J179	RD39000
133	J180	RD39000
134	J181	RD39000
135	J182	RD39000
136	J183	RD39000
137	J184	RD39000
138	J185	RD39000
139	J186	RD39000
140	J187	RD39000
141	J188	RD39000
142	J189	RD39000
143	J190	RD39000
144	J191	RD39000
145	J192	RD39000
146	J193	RD39000
147	J194	RD39000
148	J195	RD39000
149	J196	RD39000
150	J197	RD39000
151	J198	RD39000
152	J199	RD39000
153	J200	RD39000
154	J201	RD39000
155	J202	RD39000
156	J203	RD39000
157	J204	RD39000
158	J205	RD39000
159	J206	RD39000
160	J207	RD39000
161	J208	RD39000
162	J209	RD39000
163	J210	RD39000
164	J211	RD39000
165	J212	RD39000
166	J213	RD39000
167	J214	RD39000
168	J215	RD39000
169	J216	RD39000
170	J217	RD39000
171	J218	RD39000
172	J219	RD39000
173	J220	RD39000
174	J221	RD39000
175	J222	RD39000
176	J223	RD39000
177	J224	RD39000
178	J225	RD39000
179	J226	RD39000
180	J227	RD39000
181	J228	RD39000
182	J229	RD39000
183	J230	RD39000
184	J231	RD39000
185	J232	RD39000
186	J233	RD39000
187	J234	RD39000
188	J235	RD39000
189	J236	RD39000
190	J237	RD39000
191	J238	RD39000
192	J239	RD39000
193	J240	RD39000
194	J241	RD39000
195	J242	RD39000
196	J243	RD39000
197	J244	RD39000
198	J245	RD39000
199	J246	RD39000
200	J247	RD39000
201	J248	RD39000
202	J249	RD39000
203	J250	RD39000
204	J251	RD39000
205	J252	RD39000
206	J253	RD39000
207	J254	RD39000
208	J255	RD39000
209	J256	RD39000
210	J257	RD39000
211	J258	RD39000
212	J259	RD39000
213	J260	RD39000
214	J261	RD39000
215	J262	RD39000
216	J263	RD39000
217	J264	RD39000
218	J265	RD39000
219	J266	RD39000
220	J267	RD39000
221	J268	RD39000
222	J269	RD39000
223	J270	RD39000
224	J271	RD39000
225	J272	RD39000
226	J273	RD39000
227	J274	RD39000
228	J275	RD39000
229	J276	RD39000
230	J277	RD39000
231	J278	RD39000
232	J279	RD39000
233	J280	RD39000
234	J281	RD39000
235	J282	RD39000
236	J283	RD39000
237	J284	RD39000
238	J285	RD39000
239	J286	RD39000
240	J287	RD39000
241	J288	RD39000
242	J289	RD39000
243	J290	RD39000
244	J291	RD39000
245	J292	RD39000
246	J293	RD39000
247	J294	RD39000
248	J295	RD39000
249	J296	RD39000
250	J297	RD39000
251	J298	RD39000
252	J299	RD39000
253	J300	RD39000
254	J301	RD39000
255	J302	RD39000
256	J303	RD39000
257	J304	RD39000
258	J305	RD39000
259	J306	RD39000
260	J307	RD39000
261	J308	RD39000
262	J309	RD39000
263	J310	RD39000
264	J311	RD39000
265	J312	RD39000
266	J313	RD39000
267	J314	RD39000
268	J315	RD39000
269	J316	RD39000
270	J317	RD39000
271	J318	RD39000
272	J319	RD39000
273	J320	RD39000
274	J321	RD39000
275	J322	RD39000
276	J323	RD39000
277	J324	RD39000
278	J325	RD39000
279	J326	RD39000
280	J327	RD39000
281	J328	RD39000
282	J329	RD39000
283	J330	RD39000
284	J331	RD39000
285	J332	RD39000
286	J333	RD39000
287	J334	RD39000
288	J335	RD39000
289	J336	RD39000
290	J337	RD39000
291	J338	RD39000
292	J339	RD39000
293	J340	RD39000
294	J341	RD39000
295	J342	RD39000
296	J343	RD39000
297	J344	RD39000
298	J345	RD39000
299	J346	RD39000
300	J347	RD39000
301	J348	RD39000
302	J349	RD39000
303	J350	RD39000
304	J351	RD39000
305	J352	RD39000
306	J353	RD39000
307	J354	RD39000
308	J355	RD39000
309	J356	RD39000
310	J357	RD39000
311	J358	RD39000
312	J359	RD39000
313	J360	RD39000
314	J361	RD39000
315	J362	RD39000
316	J363	RD39000
317	J364	RD39000
318	J365	RD39000
319	J366	RD39000
320	J367	RD39000
321	J368	RD39000
322	J369	RD39000
323	J370	RD39000
324	J371	RD39000
325	J372	RD39000
326	J373	RD39000
327	J374	RD39000
328	J375	RD39000
329	J376	RD39000
330	J377	RD39000
331	J378	RD39000
332	J379	RD39000
333	J380	RD39000
334	J381	RD39000
335	J382	RD39000
336	J383	RD39000
337	J384	RD39000
338	J385	RD39000
339	J386	RD39000
340	J387	RD39000
341	J388	RD39000
342	J389	RD39000
343	J390	RD39000
344	J391	RD39000
345	J392	RD39000
346	J393	RD39000
347	J394	RD39000
348	J395	RD39000
349	J396	RD39000
350	J397	RD39000
351	J398	RD39000
352	J399	RD39000
353	J400	RD39000
354	J401	RD39000
355	J402	RD39000
356	J403	RD39000
357	J404	RD39000
358	J405	RD39000
359	J406	RD39000
360	J407	RD39000
361	J408	RD39000
362	J409	RD39000
363	J410	RD39000
364	J411	RD39000
365	J412	RD39000
366	J413	RD39000
367	J414	RD39000
368	J415	RD39000
369	J416	RD39000
370	J417	RD39000
371	J418	RD39000
372	J419	RD39000
373	J420	RD39000
374	J421	RD39000
375	J422	RD39000
376	J423	RD39000
377	J424	RD39000
378	J425	RD39000
379	J426	RD39000
380	J427	RD39000
381	J428	RD39000
382	J429	RD39000
383	J430	RD39000
384	J431	RD39000
385	J432	RD39000
386	J433	RD39000
387	J434	RD39000
388	J435	RD39000
389	J436	RD39000
390	J437	RD39000
391	J438	RD39000
392	J439	RD39000
393	J440	RD39000
394	J441	RD39000
395	J442	RD39000
396	J443	RD39000
397	J444	RD3

PARTS LIST

■ ELECTRICAL PARTS

■ WARNING

- Components having special characteristics are marked  and must be replaced with parts having specifications equal to those originally installed.
- 印のある部分は、安全確保部品を示しています。部品の交換が必要な場合、パーツリストに記載されている部品を使用してください。
- 部品価格ランクは、予告なく変更することがあります。

ABBREVIATIONS IN THIS LIST ARE AS FOLLOWS:

C.A.EL.CHP	: CHIP ALUMI.ELECTROLYTIC CAP	L.EMIT	: LIGHT EMITTING MODULE
C.CE	: CERAMIC CAP	LED.DSPLY	: LED DISPLAY
C.CE.ARRAY	: CERAMIC CAP ARRAY	LED.INFRD	: LED,INFRARED
C.CE.CHP	: CHIP CERAMIC CAP	MODUL.RF	: MODULATOR,RF
C.CE.ML	: MULTILAYER CERAMIC CAP	PHOT.CPL	: PHOTO COUPLER
C.CE.M.CHP	: CHIP MULTILAYER CERAMIC CAP	PHOT.INTR	: PHOTO INTERRUPTER
C.CE.SAFTY	: RECOGNIZED CERAMIC CAP	PHOT.RFLCT	: PHOTO REFLECTOR
C.CE.TUBLR	: CERAMIC TUBULAR CAP	PIN.TEST	: PIN,TEST POINT
C.CE.SMI	: SEMI CONDUCTIVE CERAMIC CAP	PLST.RIVET	: PLASTIC RIVET
C.EL	: ELECTROLYTIC CAP	R.ARRAY	: RESISTOR ARRAY
C.MICA	: MICA CAP	R.CAR.	: CARBON RESISTOR
C.ML.FLM	: MULTILAYER FILM CAP	R.CAR.CHP	: CHIP RESISTOR
C.MP	: METALLIZED PAPER CAP	R.CAR.FP	: FLAME PROOF CARBON RESISTOR
C.MYLAR	: MYLAR FILM CAP	R.FUS	: FUSABLE RESISTOR
C.MYLAR.ML	: MULTILAYER MYLAR FILM CAP	R.MTL.CHP	: CHIP METAL FILM RESISTOR
C.PAPER	: PAPER CAPACITOR	R.MTL.FLM	: METAL FILM RESISTOR
C.PLS	: POLYSTYRENE FILM CAP	R.MTL.OXD	: METAL OXIDE FILM RESISTOR
C.POL	: POLYESTER FILM CAP	R.MTL.PLAT	: METAL PLATE RESISTOR
C.POLY	: POLYETHYLENE FILM CAP	RSNR.CE	: CERAMIC RESONATOR
C.PP	: POLYPROPYLENE FILM CAP	RSNR.CRYS	: CRYSTAL RESONATOR
C.TNTL	: TANTALUM CAP	R.TW.CEM	: TWIN CEMENT FIXED RESISTOR
C.TNTL.CHP	: CHIP TANTALUM CAP	R.CEMENT	: CEMENT RESISTOR
C.TRIM	: TRIMMER CAP	SCR.BND.HD	: BIND HEAD B-TITE SCREW
CN	: CONNECTOR	SCR.BW.HD	: BW HEAD TAPPING SCREW
CN.BS.PIN	: CONNECTOR,BASE PIN	SCR.CUP	: CUP TITE SCREW
CN.CANNON	: CONNECTOR,CANNON	SCR.TERM	: SCREW TERMINAL
CN.DIN	: CONNECTOR,DIN	SCR.TR	: SCREW,TRANSISTOR
CN.FLAT	: CONNECTOR,FLAT CABLE	SUPRT.PCB	: SUPPORT,P.C.B.
CN.POST	: CONNECTOR,BASE POST	SURG.PRTCT	: SURGE PROTECTOR
COIL.MX.AM	: COIL,AM MIX	SW.TACT	: TACT SWITCH
COIL.AT.FM	: COIL,FM ANTENNA	SW.LEAF	: LEAF SWITCH
COIL.DT.FM	: COIL,FM DETECT	SW.LEVER	: LEVER SWITCH
COIL.MX.FM	: COIL,FM MIX	SW.MICRO	: MICRO SWITCH
COIL.OUTPT	: OUTPUT COIL	SW.PUSH	: PUSH SWITCH
DIOD.ARRAY	: DIODE ARRAY	SW.RT.ENC	: ROTARY ENCODER
DIODE.BRG	: DIODE BRIDGE	SW.RT.MTR	: ROTARY SWITCH WITH MOTOR
DIODE.CHP	: CHIP DIODE	SW.RT	: ROTARY SWITCH
DIODE.VAR	: VARACTOR DIODE	SW.SLIDE	: SLIDE SWITCH
DIOD.Z.CHP	: CHIP ZENER DIODE	TERM.SP	: SPEAKER TERMINAL
DIODE.ZENR	: ZENER DIODE	TERM.WRAP	: WRAPPING TERMINAL
DSCR.CE	: CERAMIC DISCRIMINATOR	THRMST.CHP	: CHIP THERMISTOR
FER.BEAD	: FERRITE BEADS	TR.CHP	: CHIP TRANSISTOR
FER.CORE	: FERRITE CORE	TR.DGT	: DIGITAL TRANSISTOR
FET.CHP	: CHIP FET	TR.DGT.CHP	: CHIP DIGITAL TRANSISTOR
FL.DSPLY	: FLUORESCENT DISPLAY	TRANS	: TRANSFORMER
FLTR.CE	: CERAMIC FILTER	TRANS.PULS	: PULSE TRANSFORMER
FLTR.COMB	: COMB FILTER MODULE	TRANS.PWR	: POWER TRANSFORMER ASS'Y
FLTR.LC.RF	: LC FILTER,EMI	TUNER.AM	: TUNER PACK,AM
GND.MTL	: GROUND PLATE	TUNER.FM	: TUNER PACK,FM
GND.TERM	: GROUND TERMINAL	TUNER.PK	: FRONT-ENDTUNER PACK
HOLDER.FUS	: FUSE HOLDER	VR	: ROTARY POTENTIOMETER
IC.PRTCT	: IC PROTECTOR	VR.MTR	: POTENTIOMETER WITH MOTOR
JUMPER.CN	: JUMPER CONNECTOR	VR.SW	: POTENTIOMETER WITH ROTARY SW
JUMPER.TST	: JUMPER,TEST POINT	VR.SLIDE	: SLIDE POTENTIOMETER
L.DTCT	: LIGHT DETECTING MODULE	VR.TRIM	: TRIMMER POTENTIOMETER

P.C.B. OPERATION & P.C.B. AV

Ref. No	Part No.	Description	Remarks	Markets	部 品 名	Rank
*	WF729600	P. C. B.	OPERATION		P C B オペレーション	
C1	US065100	C. CE. CHP	0.1uF 50V B		チップセラコン	
C2	US062100	C. CE. CHP	100pF 50V B		チップセラコン	01
C3	US062100	C. CE. CHP	100pF 50V B		チップセラコン	01
C4	US062100	C. CE. CHP	100pF 50V B		チップセラコン	01
C8	V3480600	C. CE. CHP	1uF 10V		チップセラコン	01
C13	US062100	C. CE. CHP	100pF 50V B		チップセラコン	01
C14	UM517470	C. EL	47uF 6.3V		ケミコンMS5	01
C15-16	US135100	C. CE. CHP	0.1uF 16V		チップセラコン	01
C17	US063100	C. CE. CHP	1000pF 50V B		チップセラコン	01
D2	VT332900	DIODE	1SS355		ダイオード	01
D3	VT332900	DIODE	1SS355		ダイオード	01
D5	VU172000	DIODE. ZENR	UDZS5.6BTE-17 5.6V		ツェナーダイオード	01
D6	VU172000	DIODE. ZENR	UDZS5.6BTE-17 5.6V		ツェナーダイオード	01
D7	VU172000	DIODE. ZENR	UDZS5.6BTE-17 5.6V		ツェナーダイオード	01
IC1	X5751A00	IC. CPU	UPD16312GB-3B4		C P U / 周辺 I C	07
SW1-3	V4757100	SW. TACT	EVQ11A		タクトSW	01
SW5	V4757100	SW. TACT	EVQ11A		タクトSW	01
SW7	V4757100	SW. TACT	EVQ11A		タクトSW	01
U1	V8444900	L. DTCT	GP1UM271XK		リモコン受光ユニット	04
* V1	WF763400	FL. DSPLY	7-ST-41NK		蛍光表示管	
* V1	V6955200	SHEET	W=35		保護シート	
* V1	WF512700	SPACER	3x5x10		スペーサー F L	
* WF729200	P. C. B.	AV		J	P C B AV	
* WF729400	P. C. B.	AV		KALV	P C B AV	
* WF729500	P. C. B.	AV		B	P C B AV	
* CB101	VF283100	CN. BS. PIN	13P		コネクタベースポスト	01
* CB102	VN520900	CN. BS. PIN	52045 26P TE		F F Cコネクタ	02
* CB103	VQ047200	CN. BS. PIN	9P	J	F F Cコネクタ	01
* CB104	WB497100	CN. RGB	21P YKF41-5044	B	R G Bコネクタ	
* CB105	VQ044400	CN. BS. PIN	9P	J	F F Cコネクタ	01
* CB107	WF590100	CN	CSS5014-0521F	J	D端子コネクタ	
* CB108	WG284300	CN. BS. PIN	52806 5P TE		F F Cコネクタ	
C101	US061220	C. CE. CHP	22pF 50V B		チップセラコン	01
C102	US065100	C. CE. CHP	0.1uF 50V B		チップセラコン	
C103	US061470	C. CE. CHP	47pF 50V B		チップセラコン	01
C104	UR837470	C. EL	47uF 16V		ケミコン	01
C105	UR837100	C. EL	10uF 16V		ケミコン	01
C106	US135330	C. CE. CHP	0.33uF 16V		チップセラコン	01
C107-109	UR867220	C. EL	22uF 50V		ケミコン	01
C110	UR837470	C. EL	47uF 16V		ケミコン	01
C112	US135100	C. CE. CHP	0.1uF 16V		チップセラコン	01
C113	UR837470	C. EL	47uF 16V		ケミコン	01
C115	UR867220	C. EL	22uF 50V		ケミコン	01
C116	UR838100	C. EL	100uF 16V		ケミコン	01
C117	US035100	C. CE. CHP	0.1uF 16V B	B	チップセラコン	01
C118	UR837470	C. EL	47uF 16V		ケミコン	01
C119-121	US061470	C. CE. CHP	47pF 50V B		チップセラコン	01
C122	US062100	C. CE. CHP	100pF 50V B	B	チップセラコン	01
C125-127	US061470	C. CE. CHP	47pF 50V B		チップセラコン	01
C130	UR847100	C. EL	10uF 25V	B	ケミコン	01
C131	UR847470	C. EL	47uF 25V	B	ケミコン	01
C132	US062680	C. CE. CHP	680pF 50V B	B	チップセラコン	01

* New Parts * 新規部品

P.C.B. AV

Ref. No	Part No.	Description	Remarks	Markets	部 品 名	Rank	
C133	UR819100	C. EL	1000uF 6.3V		J	ケミコン	01
C134	US062680	C. CE. CHP	680pF 50V B		B	チップセラコン	01
C135-136	UR819100	C. EL	1000uF 6.3V		J	ケミコン	01
C140-141	US063330	C. CE. CHP	3300pF 50V B			チップセラコン	01
C142-143	US062470	C. CE. CHP	470pF 50V B			チップセラコン	01
C145	US035100	C. CE. CHP	0.1uF 16V B			チップセラコン	01
C146-147	US062470	C. CE. CHP	470pF 50V B			チップセラコン	01
C149	UR837470	C. EL	47uF 16V			ケミコン	01
C153	UR837100	C. EL	10uF 16V			ケミコン	01
C154-155	UR837100	C. EL	10uF 16V		B	ケミコン	01
C156	UR837100	C. EL	10uF 16V			ケミコン	01
C158	US035100	C. CE. CHP	0.1uF 16V B			チップセラコン	01
C160	UR837470	C. EL	47uF 16V			ケミコン	01
C162	US035100	C. CE. CHP	0.1uF 16V B		B	チップセラコン	01
C167	UR866100	C. EL	1uF 50V			ケミコン	01
C169	UR039100	C. EL	1000uF 16V		B	ケミコン	01
C170	UR039100	C. EL	1000uF 16V		JB	ケミコン	01
C179	US061330	C. CE. CHP	33pF 50V B			チップセラコン	01
C180-181	US062470	C. CE. CHP	470pF 50V B			チップセラコン	01
C182	US044220	C. CE. CHP	0.022uF 25V B			チップセラコン	01
C183-186	US062220	C. CE. CHP	220pF 50V B		B	チップセラコン	01
C187	US135100	C. CE. CHP	0.1uF 16V			チップセラコン	01
C189	US062220	C. CE. CHP	220pF 50V B		KABLV	チップセラコン	01
C190	US062220	C. CE. CHP	220pF 50V B		KABLV	チップセラコン	01
C191	US062220	C. CE. CHP	220pF 50V B		KABLV	チップセラコン	01
C192	UR819100	C. EL	1000uF 6.3V			ケミコン	01
C193-194	US062470	C. CE. CHP	470pF 50V B			チップセラコン	01
C196-197	US061470	C. CE. CHP	47pF 50V B			チップセラコン	01
C198	UR837470	C. EL	47uF 16V			ケミコン	01
C199	UR038100	C. EL	100uF 16V		B	ケミコン	01
C203	US135100	C. CE. CHP	0.1uF 16V			チップセラコン	01
C206	US135100	C. CE. CHP	0.1uF 16V			チップセラコン	01
C210	UR819100	C. EL	1000uF 6.3V			ケミコン	01
C211	UR838100	C. EL	100uF 16V			ケミコン	01
C212	US063100	C. CE. CHP	1000pF 50V B		J	チップセラコン	01
C214-216	US135100	C. CE. CHP	0.1uF 16V			チップセラコン	01
D101	VU171900	DIODE. ZENR	UDZ5.1B 5.1V			ツェナーダイオード	01
D102	VT332900	DIODE	1SS355			ダイオード	01
* D103	VU997900	DIODE. ZENR	MA8180-M 18V			ツェナーダイオード	01
D106	VT332900	DIODE	1SS355			ダイオード	01
D109	VT332900	DIODE	1SS355			ダイオード	01
* D154-161	VT332900	DIODE	1SS355			ダイオード	01
IC102	X6040A00	IC	AK4385ET			IC DAC	03
IC103	XS534A00	IC	NJM78M05DL1A(TE1)			電源 IC	02
IC107	XF291A00	IC	uPC4570G2			IC	03
IC109	XW939A00	IC	TK15420M VIDEO AMP		B	アンプ IC	03
* IC110	X6509A00	IC	ADG733		B	IC	03
J114		R. CHP	0Ω 1/16W J		KALV	チップ抵抗	
J116		R. CHP	0Ω 1/16W J		KABLV	チップ抵抗	
J117		R. CHP	0Ω 1/16W J		KABLV	チップ抵抗	
J118		R. CHP	0Ω 1/16W J		KABLV	チップ抵抗	
J125-127		R. CHP	0Ω 1/16W J		KALV	チップ抵抗	
J128-129		R. CHP	0Ω 1/16W J		JKALV	チップ抵抗	
J130		R. CHP	0Ω 1/16W J		B	チップ抵抗	
* PJ101	WF763300	JACK. PIN	4P RJ-1145		KABLV	ピンジャック 4 P	
* PJ102	WF763200	JACK. PIN	2P RJ-1144			ピンジャック 2 P	

* New Parts * 新規部品

P.C.B. AV

Ref. No	Part No.	Description	Remarks	Markets	部 品 名	Rank	
PJ103	V9643000	JACK.PIN	1P YE YKC21-3893		J	ピンジャック	01
PN1-2	V9637500	PIN	L=70 #18			スタイルピン	
Q101-103	VV556400	TR	2SC2412K Q, R, S			トランジスタ	01
Q104	VV556500	TR	2SA1037K Q, R, S			トランジスタ	01
Q105	VV556400	TR	2SC2412K Q, R, S			トランジスタ	01
Q106	iA093320	TR	2SA933S Q, R			トランジスタ	01
Q108	VV556400	TR	2SC2412K Q, R, S			トランジスタ	01
Q109	VV556500	TR	2SA1037K Q, R, S		B	トランジスタ	01
Q110-112	VV655400	TR. DGT	DTC114EKA		B	デジタルトランジスタ	01
Q113	VV655700	TR. DGT	DTC144EKA			デジタルトランジスタ	01
Q114	VV655000	TR. DGT	DTA114EKA		B	デジタルトランジスタ	01
Q119	VV655300	TR. DGT	DTA144EKA		J	デジタルトランジスタ	01
Q124	VV655700	TR. DGT	DTC144EKA		J	デジタルトランジスタ	01
Q125	VV556500	TR	2SA1037K Q, R, S			トランジスタ	01
Q126-127	VZ725900	TR	2SD1938F S, T		B	トランジスタ	
Q128	VV556500	TR	2SA1037K Q, R, S			トランジスタ	01
Q129	VV655400	TR. DGT	DTC114EKA		J	デジタルトランジスタ	01
Q130-131	VZ725900	TR	2SD1938F S, T		B	トランジスタ	
Q132	VV655400	TR. DGT	DTC114EKA		J	デジタルトランジスタ	01
Q133-136	VZ725900	TR	2SD1938F S, T			トランジスタ	
Q139	VV655700	TR. DGT	DTC144EKA			デジタルトランジスタ	01
Q140-142	VV556500	TR	2SA1037K Q, R, S			トランジスタ	01
R117	HV753100	R. CAR. FP	1Ω 1/4W			不燃化カーボン抵抗	01
R119	HV754100	R. CAR. FP	10Ω 1/4W			不燃化カーボン抵抗	01
R121	HV753100	R. CAR. FP	1Ω 1/4W			不燃化カーボン抵抗	01
R125-126	HV754180	R. CAR. FP	18Ω 1/4W			不燃化カーボン抵抗	01
R134-135	HV753100	R. CAR. FP	1Ω 1/4W			不燃化カーボン抵抗	01
R136-137	HV753220	R. CAR. FP	2.2Ω 1/4W			不燃化カーボン抵抗	01
R138		R. CHP	22KΩ 1/16W J		B	チップ抵抗	
R142		R. CHP	1KΩ 1/16W J		B	チップ抵抗	
R143		R. CHP	220Ω 1/16W J		B	チップ抵抗	
R147-148	VP940800	R. MTL. OXD	470Ω 1W		B	酸化金属被膜抵抗	01
R156		R. CHP	75Ω 1/16W J		B	チップ抵抗	
R191-192		R. CHP	100KΩ 1/16W J		B	チップ抵抗	
R193		R. CHP	10KΩ 1/16W J		J	チップ抵抗	
R203-204		R. CHP	330Ω 1/16W J		B	チップ抵抗	
R209		R. CHP	1KΩ 1/16W J		J	チップ抵抗	
R215-216		R. CHP	330Ω 1/16W J		B	チップ抵抗	
R227-230		R. CHP	22KΩ 1/16W J		B	チップ抵抗	
R231		R. CHP	820Ω 1/16W J		J	チップ抵抗	
R250-251		R. CHP	100Ω 1/16W J		B	チップ抵抗	
R252-253		R. CHP	75Ω 1/16W J		B	チップ抵抗	
R260		R. CHP	10KΩ 1/16W J		B	チップ抵抗	
R272		R. CHP	75Ω 1/16W J		B	チップ抵抗	
R273-276		R. CHP	1KΩ 1/16W J		B	チップ抵抗	
R277		R. CHP	10KΩ 1/16W J		B	チップ抵抗	
R279-280		R. CHP	22KΩ 1/16W J		B	チップ抵抗	
R284		R. CHP	10KΩ 1/16W J		KABLV	チップ抵抗	
R285		R. CHP	10KΩ 1/16W J		KABLV	チップ抵抗	
R286		R. CHP	10KΩ 1/16W J		KABLV	チップ抵抗	
R287-289		R. CHP	10KΩ 1/16W J		B	チップ抵抗	
R290-292		R. CHP	10KΩ 1/16W J		J	チップ抵抗	
R295		R. CHP	56KΩ 1/16W J		B	チップ抵抗	
R301		R. CHP	47KΩ 1/16W J		J	チップ抵抗	
U101	WB001600	CN. PHOT. SN	1P GP1FA553TZ			光ファイバリンク	

* New Parts * 新規部品

Chip Resistors

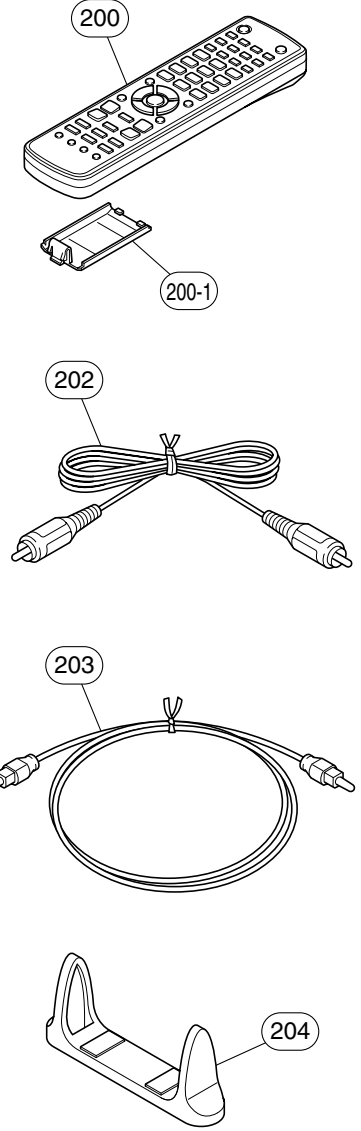
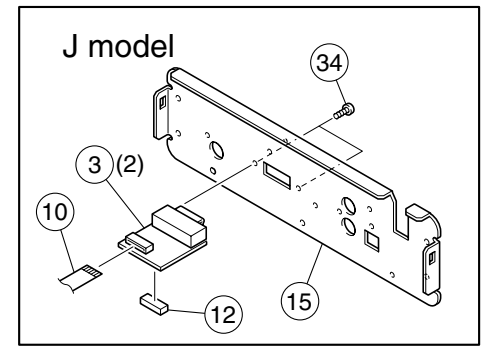
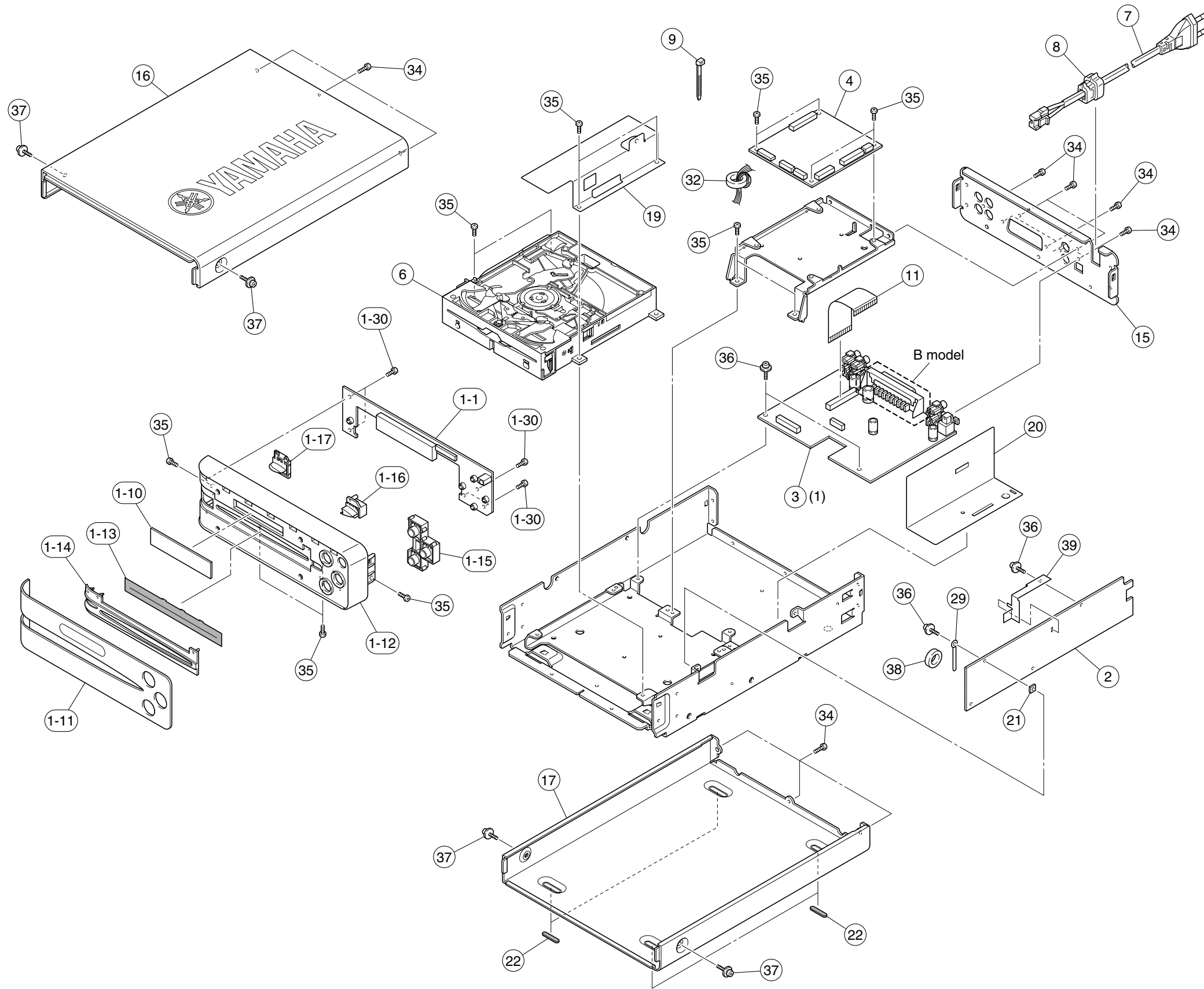
- The chip resistor is not supplied as a replacement part.
- * When a chip resistor is necessary, use the following part.
AAX60720: CHIP RESISTOR SAMPLE BOOK

- チップ抵抗はサービス部品として供給しません。
- * チップ抵抗が必要な場合は、下記の部品をご利用ください。
AAX60720: CHIP RESISTOR SAMPLE BOOK

Ref. No	Part No.	Description	Remarks	Markets	部 品 名	Rank
	R. CHP	0Ω 1/16W J			チップ抵抗	
	R. CHP	47Ω 1/16W J			チップ抵抗	
	R. CHP	75Ω 1/16W J			チップ抵抗	
	R. CHP	100Ω 1/16W J			チップ抵抗	
	R. CHP	150Ω 1/16W J			チップ抵抗	
	R. CHP	220Ω 1/16W J			チップ抵抗	
	R. CHP	330Ω 1/16W J			チップ抵抗	
	R. CHP	470Ω 1/16W J			チップ抵抗	
	R. CHP	680Ω 1/16W J			チップ抵抗	
	R. CHP	820Ω 1/16W J			チップ抵抗	
	R. CHP	1KΩ 1/16W J			チップ抵抗	
	R. CHP	2.2KΩ 1/16W J			チップ抵抗	
	R. CHP	4.7KΩ 1/16W J			チップ抵抗	
	R. CHP	10KΩ 1/16W J			チップ抵抗	
	R. CHP	22KΩ 1/16W J			チップ抵抗	
	R. CHP	47KΩ 1/16W J			チップ抵抗	
	R. CHP	56KΩ 1/16W J			チップ抵抗	
	R. CHP	100KΩ 1/16W J			チップ抵抗	

* New Parts * 新規部品

EXPLODED VIEW



MECHANICAL PARTS

Ref. No	Part No.	Description	Remarks	Markets	部 品 名	Rank
*	1-1	WF729600	P.C.B. ASS'Y		OPERATION	
*	1-10	WF453500	SHEET FL	WH,SI	シート/FL	
*	1-10	WF453600	SHEET FL	BL	シート/FL	
*	1-11	WF452700	SHEET WINDOW	WH	J	シート/ウインドウ
*	1-11	WF769100	SHEET WINDOW	WH	KALV	シート/ウインドウ
*	1-11	WF452800	SHEET WINDOW	BL		シート/ウインドウ
*	1-11	WG336300	SHEET WINDOW	SI		シート/ウインドウ
*	1-12	WF452300	FRONT PANEL	WH		フロントパネル
*	1-12	WF452400	FRONT PANEL	BL		フロントパネル
*	1-12	WG336400	FRONT PANEL	SI		フロントパネル
*	1-13	WF436500	SHEET GUIDE			シート/ガイド
*	1-14	WF452600	ESCUTCHEON			エスカッション
*	1-15	WF453400	BUTTON 3P			ボタン/3P
*	1-16	WF453200	BUTTON EJECT			ボタン/イジェクト
*	1-17	WF452900	BUTTON POWER	WH,BL		ボタン/パワー
*	1-17	WG209100	BUTTON POWER	SI		ボタン/パワー
	1-30	WE774800	BIND HEAD P-TIGHT SCREW	3x8 MFZN2W3		バインドPタイトネジ
* ⚠	2	X7000A00	POWER SUPPLY UNIT	3139 247 11802	J	電源ユニット
* ⚠	2	X7001A00	POWER SUPPLY UNIT	3139 247 11812	KALV	電源ユニット
*	3	WF729200	P.C.B. ASS'Y		AV	P C B AV
*	3	WF729400	P.C.B. ASS'Y		AV	P C B AV
*	3	WF729500	P.C.B. ASS'Y		AV	P C B AV
*	4	X7002B00	P.C.B. ASS'Y	3139 248 85832	MONO	P C B MONO
*	6	WF849900	DVD MECHANISM UNIT			D V Dメカユニット
* ⚠	7	WF884600	POWER CABLE		2m	電源コード
* ⚠	7	V8013000	POWER CABLE		2m	電源コード
* ⚠	7	WC743700	POWER CABLE		2m	電源コード
* ⚠	7	WF723100	POWER CABLE		2m	電源コード
* ⚠	7	VN363600	POWER CABLE		2m	電源コード
* ⚠	7	WC992700	POWER CABLE		2m	電源コード
	8	V2438700	CORD STOPPER		10P1	コードストッパー
	9	VU590000	BINDING TIE		CBTD001B	インシュロックタイ
*	10	MF109060	FLEXIBLE FLAT CABLE		9P 60mm P=1.25	カード電線 C&C
*	11	MF126070	FLEXIBLE FLAT CABLE		26P 70mm P=1.25	カード電線 C&C
	12	V8080300	DAMPER FP			ダンパー/FP
*	15	WF450900	REAR PANEL		J	リヤパネル
*	15	WF451100	REAR PANEL		KLV	リヤパネル
*	15	WF734400	REAR PANEL		A	リヤパネル
*	15	WF572700	REAR PANEL		B	リヤパネル
*	16	WF311000	TOP COVER	WH		トップカバー
*	16	WF311200	TOP COVER	BL		トップカバー
*	16	WG278700	TOP COVER	SI		トップカバー
*	17	WF311400	BOTTOM COVER	WH		ボトムカバー
*	17	WF311600	BOTTOM COVER	BL		ボトムカバー
*	17	WG278900	BOTTOM COVER	SI		ボトムカバー
*	19	WF754100	BARRIER MCH			バリヤ MCH
*	20	WF754600	BARRIER PSU			バリヤ PSU
*	21	VY989400	DAMPER		KALVB	ダンパー

* New Parts * 新規部品

Ref. No	Part No.	Description	Remarks	Markets	部 品 名	Rank	
*	22	WF339100	CUSHION LEG			クッション/レッグ	
	29	WD397500	BINDING TIE		MSF-085	束線止め	
*	32	Vi491100	FERRITE CORE			フェライトコア	
	34	WE774100	BIND HEAD BONDING B-T. SCREW	3x8 MFZN2B3		ボンディングBタイトネジ	
	35	WE774300	BIND HEAD B-TIGHT SCREW	3x8 MFZN2W3		バインドBタイトネジ	
	36	VT669300	PW HEAD B-TIGHT SCREW	3x8-8 MFC2		PWヘッドBタイトネジ	
	37	VY712800	PW HEAD B-TIGHT SCREW	3x8-8 MFN133		PWヘッドBタイトネジ	
*	38	VB933800	FERRITE CORE			フェライトコア	
*	39	WG485600	BARRIER KL		KL	バリアーKL	
			ACCESSORIES			付属品	
*	200	WF768100	REMOTE CONTROL	RRC4001-1525EM	WH	J	リモコン
*	200	WF768200	REMOTE CONTROL	RRC4001-1524EM	WH	KALV	リモコン
*	200	WF768300	REMOTE CONTROL	RRC4001-1526EM	BL	B	リモコン
	200-1	AAX51940	BATTERY COVER	103RRS-141-04L	WH	JKALV	電池蓋
	200-1	AAX57560	BATTERY COVER	103RRS-141-07L	BL	B	電池蓋
	202	VV209200	VIDEO PIN CABLE	1P 1.0m YE 1pc			ビデオ用ピンケーブル
	203	V9156100	OPTICAL CABLE	1P CDL1711-1606G 1pc			光 ケーブル
*	204	WF364900	STAND ASS'Y	1pc	WH	JKALV	スタンドASSY
*	204	WF365000	STAND ASS'Y	1pc	BL	B	スタンドASSY
			BATTERY	SUM-3N 2pcs			乾電池

* New Parts * 新規部品

